

6 5 4 3 2 1

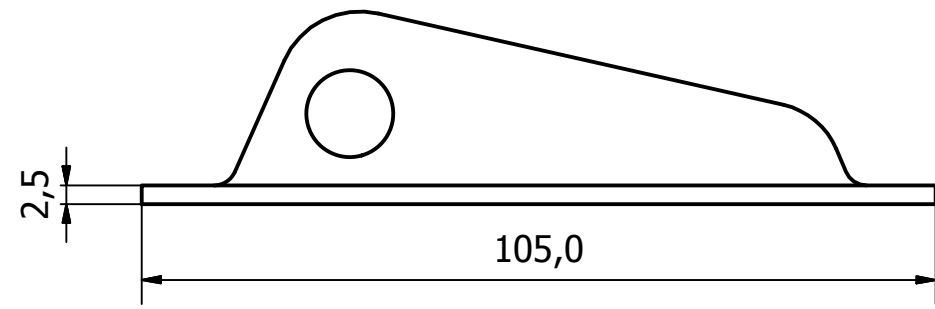
PARTS LIST			
ITEM	QTY	PART NUMBER	DESCRIPTION
1	1	1057-011-1	PRESSED STEEL PAN
2	1	1057-011-2	FORGED STEEL RING PULL
3	1	1057-011-3	M/STEEL RING RIVET PIN

D

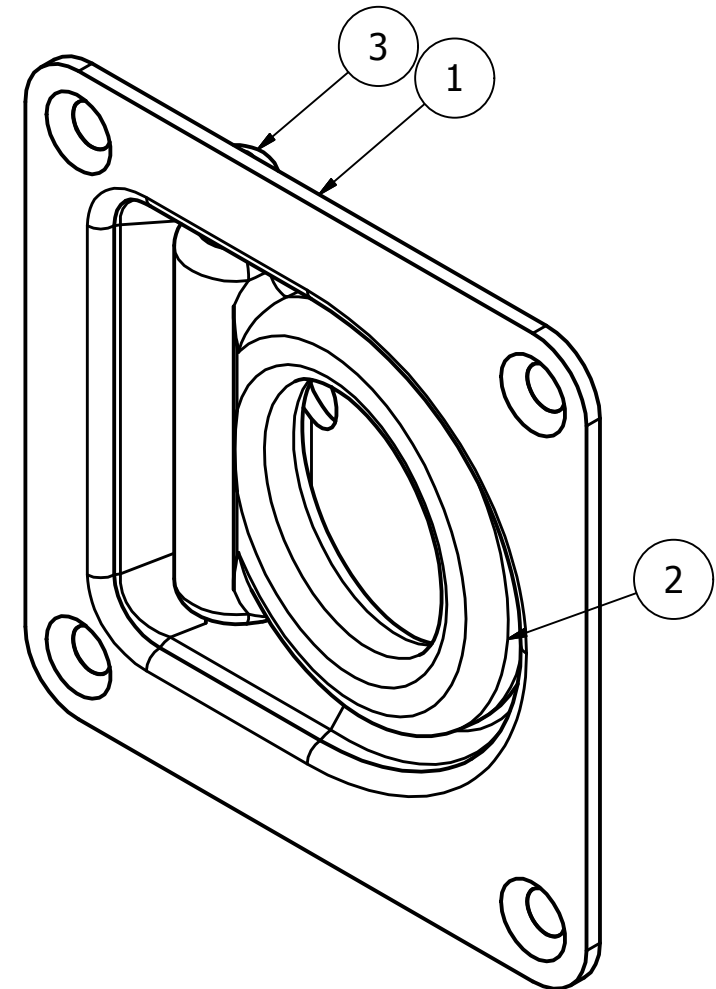
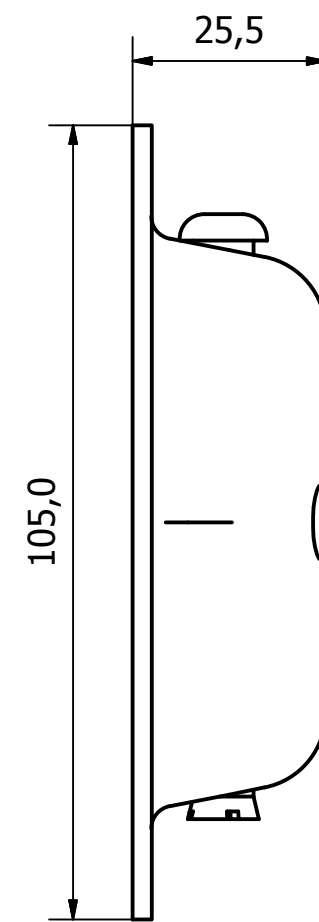
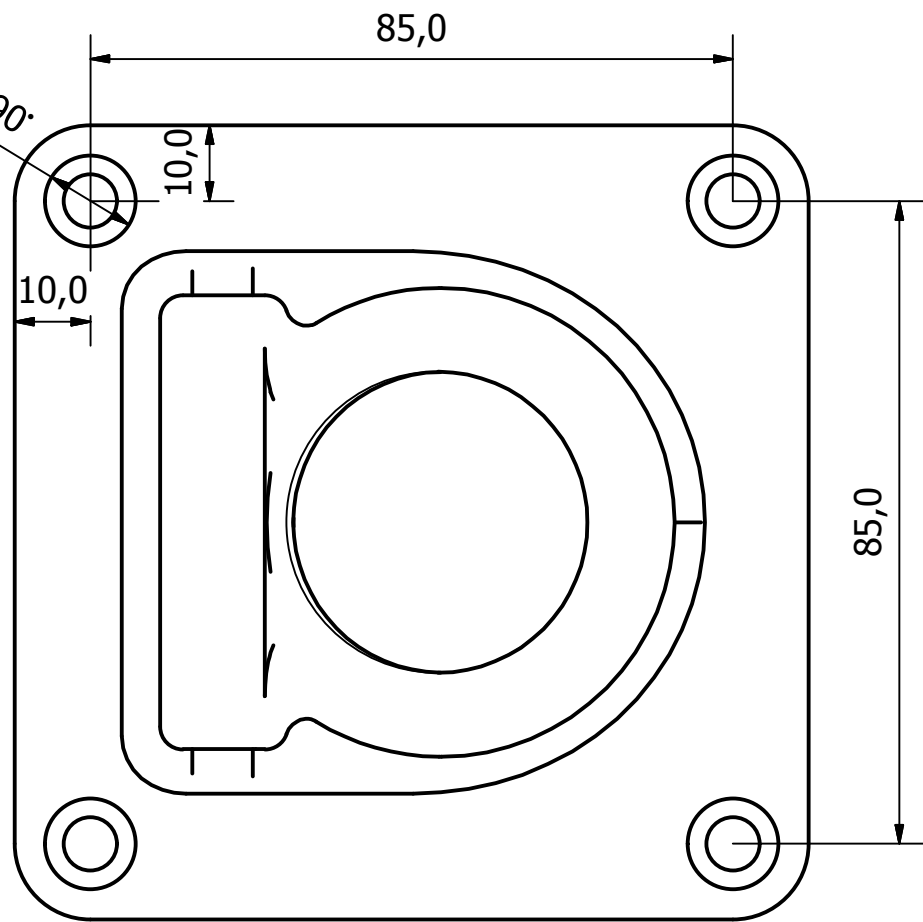
C

B

A



4 x Ø12,0 HOLES  $\sphericalangle$  7.1 @ 90°



1	VALIDATION COMPLETE	28/07/17	A.P
REV	DESCRIPTION	DATE	APPROVED

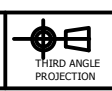
GENERAL TOLERANCES ON LENGTHS
0.5 - 6 ± 0.1mm
6 - 30 ± 0.2mm
30 - 120 ± 0.3mm
120 - 400 ± 0.5mm
400 - 1000 ± 0.8mm
1000 - 2000 ± 1.2mm
2000 - 4000 ± 2.0mm

ALBERT JAGGER LTD  
 GREEN LANE  
 WALSALL PHONE: 01922 471000  
 WEST MIDLANDS FAX: 01922 648021  
 WS2 8HG

THIS DRAWING & THE DESIGN SHOWN ARE THE PROPERTY OF ALBERT JAGGER LTD AND MUST NOT BE USED OR COPIED BY A THIRD PARTY WITHOUT PERMISSION

DRAWN BY  
U.F

CHECKED BY  
A.P



SCALE  
1 : 1

MATERIAL  
SEE TABLE

MASS  
0.486 kg

FINISH  
Z/C PASIVATE

Date  
19/06/2017

ALL DIMS IN MM UNLESS STATED DO NOT SCALE

A3



RECESSED LASHING RING	
1057-011	1057-011
Edition 1	Sheet 1 / 1

6 5 4 3 2 1