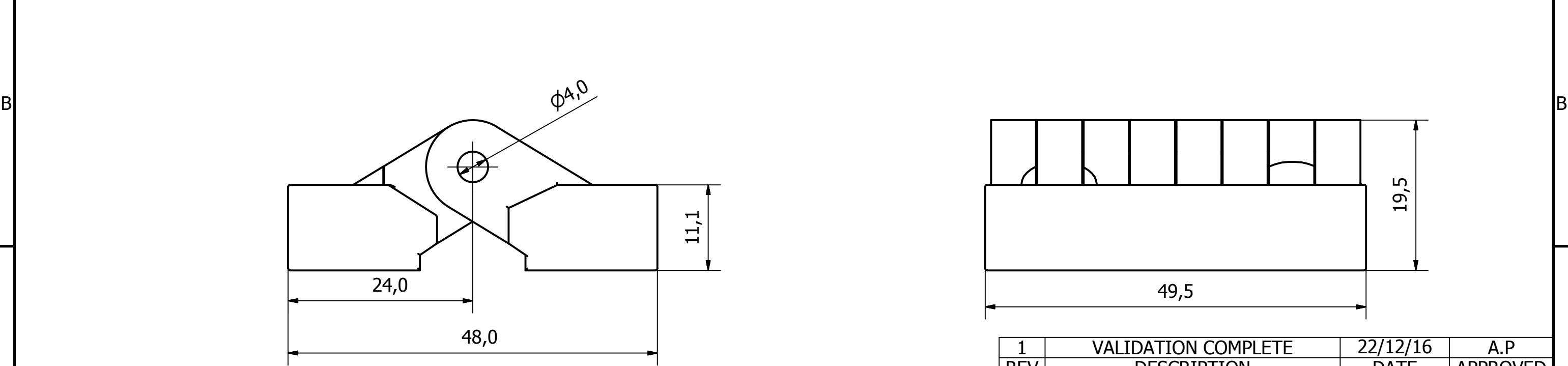
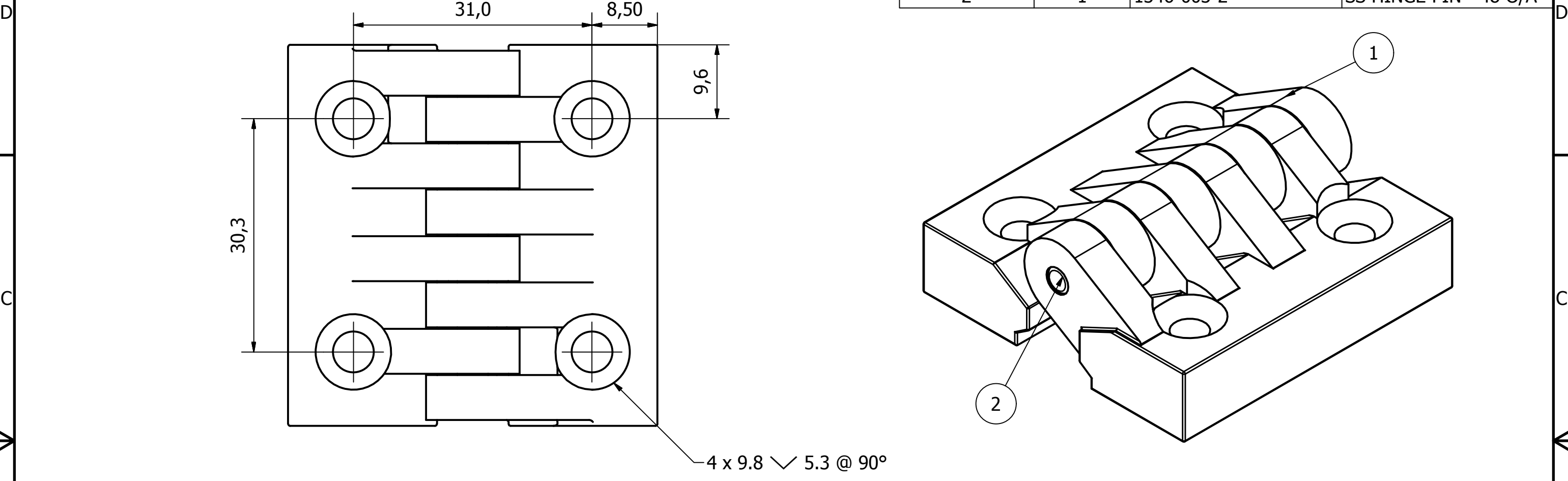


6 5 4 3 2 1

PARTS LIST			
ITEM	QTY	PART NUMBER	DESCRIPTION
1	2	1346-003-1	HINGE BODY
2	1	1346-003-2	SS HINGE PIN - 48 O/A



1	VALIDATION COMPLETE	22/12/16	A.P
REV	DESCRIPTION	DATE	APPROVED

GENERAL TOLERANCES ON LENGTHS	
0.5 - 6 ± 0.1mm	
6 - 30 ± 0.2mm	
30 - 120 ± 0.3mm	
120 - 400 ± 0.5mm	
400 - 1000 ± 0.8mm	
1000 - 1200 ± 1.2mm	
2000 - 4000 ± 2.0mm	

ALBERT JAGGER LTD
 GREEN LANE
 WALSALL PHONE: 01922 471000
 WEST MIDLANDS FAX: 01922 648021
 WS2 8HG

THIS DRAWING & THE DESIGN SHOWN
 ARE THE PROPERTY OF ALBERT JAGGER LTD
 AND MUST NOT BE USED OR COPIED BY A
 THIRD PARTY WITHOUT PERMISSION

DRAWN BY U.F	CHECKED BY A.P	SCALE 2 : 1	MATERIAL -	MASS 0.032 kg	FINISH BLACK	Date 11/10/2016	ALL DIMS IN MM UNLESS STATED DO NOT SCALE	A3
						CABINET HINGE - 48 x 49.5		
						1346-003	Edition 1 Sheet 1 / 1	

6 5 4 3 2 1