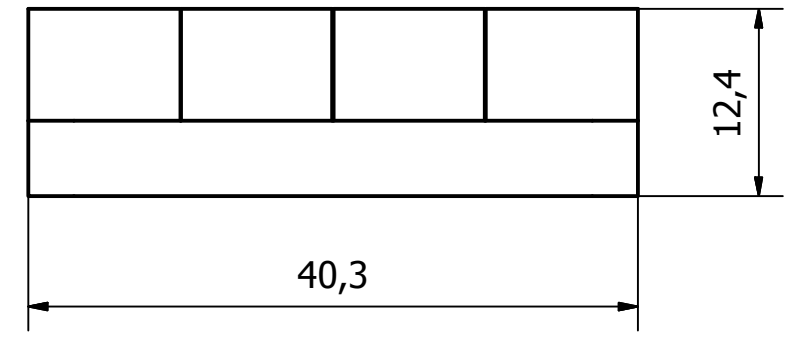
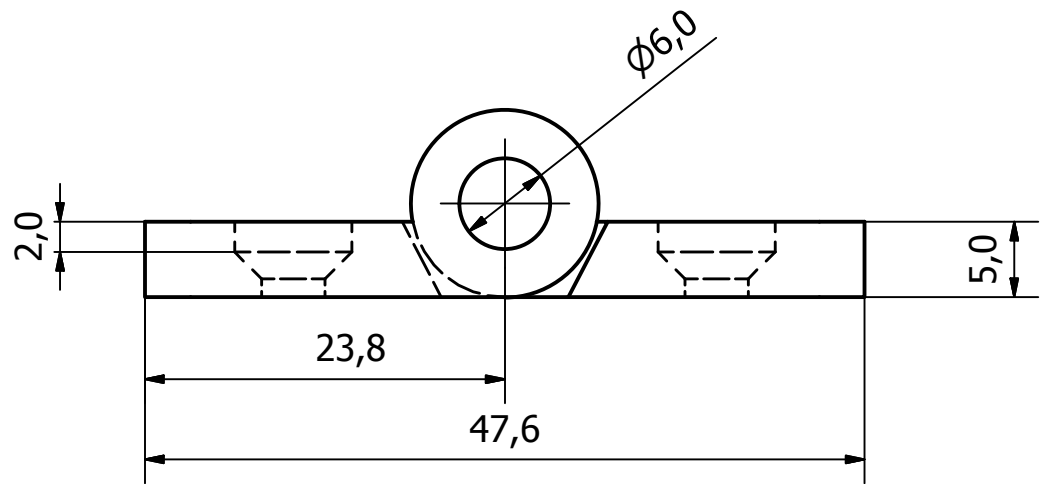
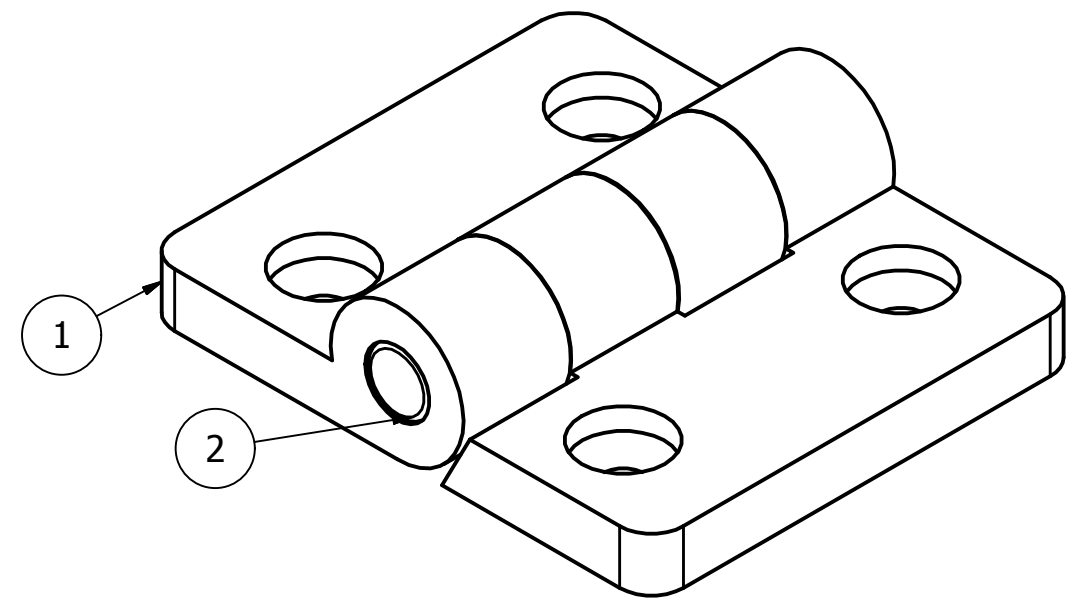


PARTS LIST			
ITEM	QTY	PART NUMBER	DESCRIPTION
1	2	1349-004-1	PLASTIC HINGE BODY
2	1	1349-004-2	BRASS HINGE PIN - 40.3 O/A



1	VALIDATION COMPLETE	20/10/16	A.P
REV	DESCRIPTION	DATE	APPROVED

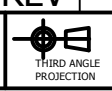
GENERAL TOLERANCES ON LENGTHS
0.5 - 6 ± 0.1mm
6 - 30 ± 0.2mm
30 - 120 ± 0.3mm
120 - 400 ± 0.5mm
400 - 1000 ± 0.8mm
1000 - 1200 ± 1.2mm
2000 - 4000 ± 2.0mm

ALBERT JAGGER LTD
 GREEN LANE
 WALSALL PHONE: 01922 471000
 WEST MIDLANDS FAX: 01922 648021
 WS2 8HG

THIS DRAWING & THE DESIGN SHOWN ARE THE PROPERTY OF ALBERT JAGGER LTD AND MUST NOT BE USED OR COPIED BY A THIRD PARTY WITHOUT PERMISSION

DRAWN BY
U.F

CHECKED BY
A.P



SCALE
2 : 1

MATERIAL
-

MASS
0.022 kg

FINISH
BLACK

Date
13/10/2016

ALL DIMS IN MM UNLESS STATED DO NOT SCALE

A3



PLASTIC HINGE - KNURLED BRASS PIN

1349-004

Edition
1

Sheet
1 / 1