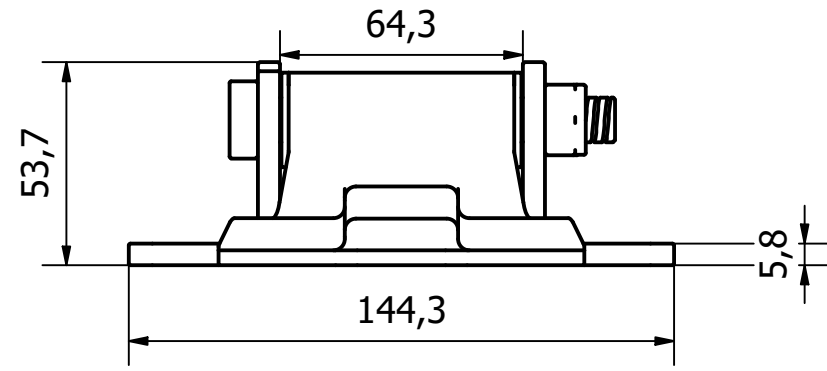
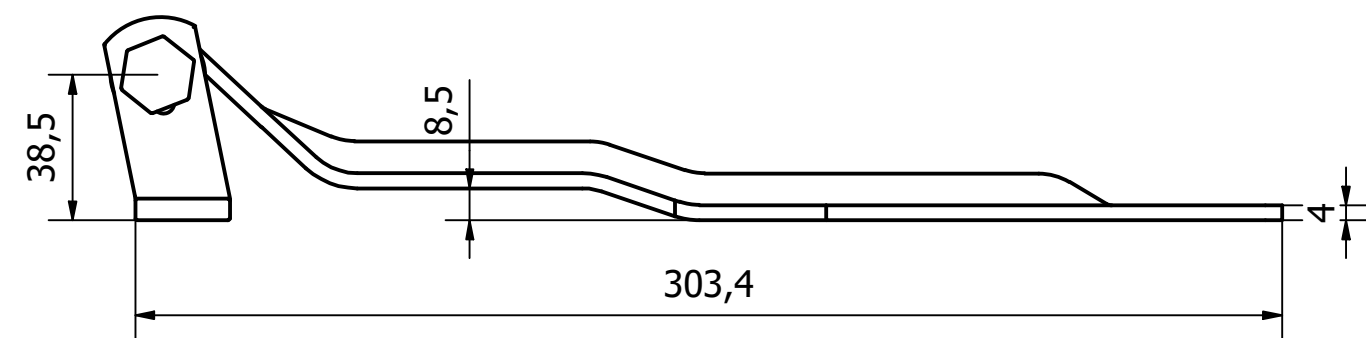
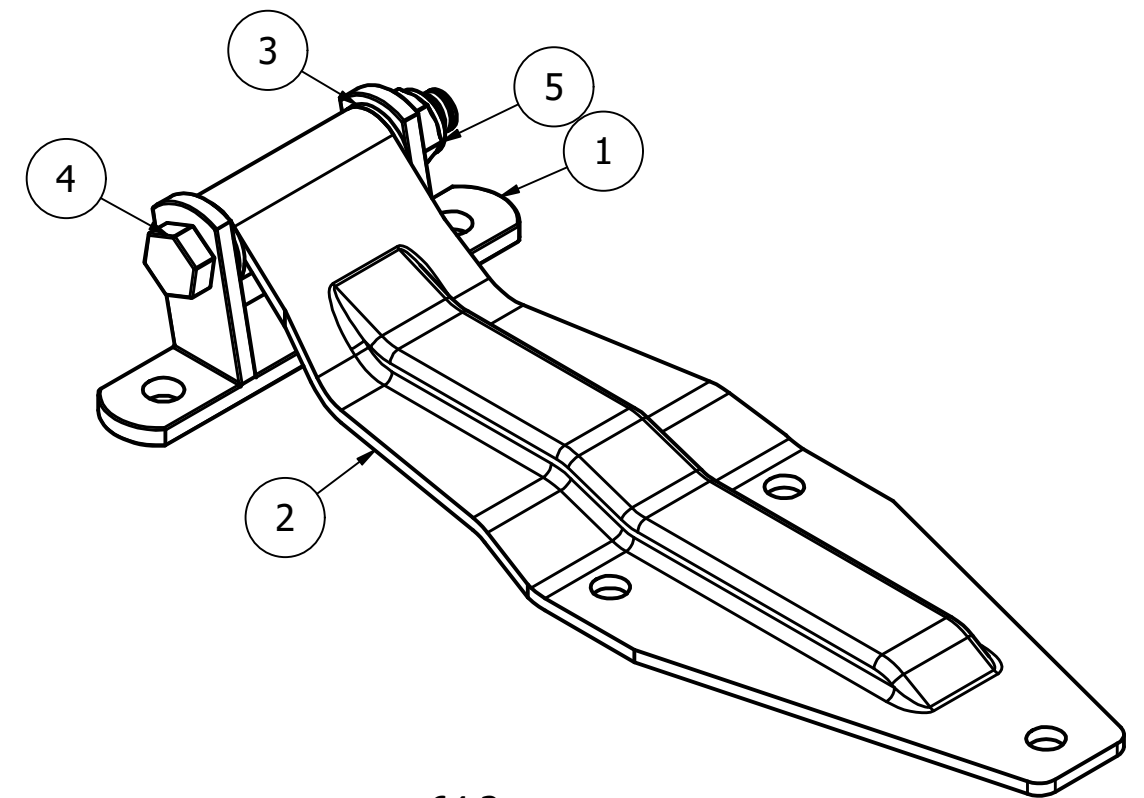
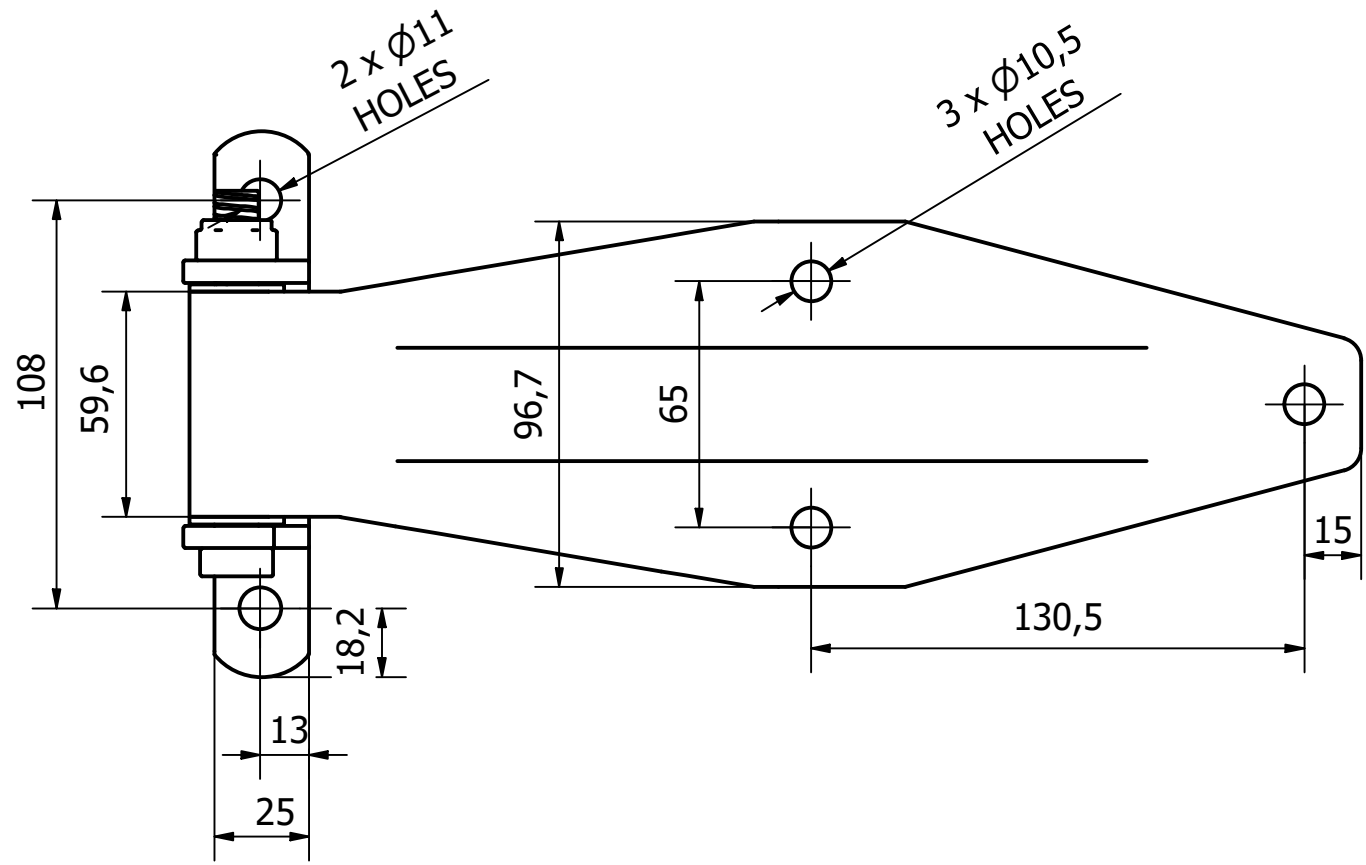


PARTS LIST			
ITEM	QTY	PART NUMBER	DESCRIPTION
1	1	2052-006-1	S/STEEL HINGE BASE PLATE - POLISHED CRHOME
2	1	2052-006-2	S/STEEL HINGE BODY - POLISHED CHROME
3	2	2052-006-3	WHITE NYLON HINGE BODY INSERT
4	1	2052-006-3	S/STEEL M12 BOLT - 102 O/A
5	1	2052-006-4	S/STEEL M12 NYLOC NUT



PART No.	MATERIAL	FINISH
2052/002	MILD STEEL	Z/C PASSIVATE
2052/006	T304 S/STEEL	MIRROR POLISH

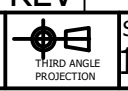
NOTE:
HINGE DESIGNED FOR 270° APPLICATIONS

GENERAL TOLERANCES ON LENGTHS	
0.5 - 6 ± 0.1mm	
6 - 30 ± 0.2mm	
30 - 120 ± 0.3mm	
120 - 400 ± 0.4mm	
400 - 1000 ± 0.5mm	

ALBERT JAGGER LTD
GREEN LANE
WALSALL PHONE: 01922 471000
WEST MIDLANDS FAX: 01922 648021
WS2 8HG

THIS DRAWING & THE DESIGN SHOWN
ARE THE PROPERTY OF ALBERT JAGGER LTD
AND MUST NOT BE USED OR COPIED BY A
THIRD PARTY WITHOUT PERMISSION

DRAWN BY	CHECKED BY
U.F	A.P



SCALE
1:2

MATERIAL
-

MASS
1.399 kg

FINISH
SEE TABLE

Date
30/01/2017

ALL DIMS IN MM
UNLESS STATED
DO NOT SCALE

A3



S/STEEL REAR VAN-DOOR HINGE	
2052-006	2052-006
Edition 2	Sheet 1 / 1