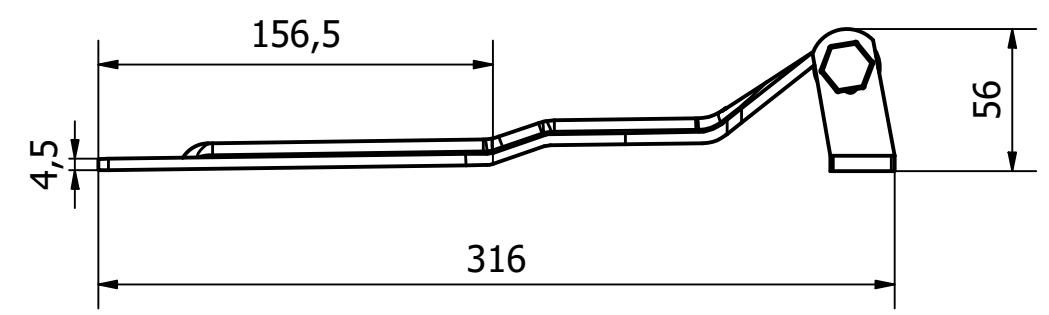
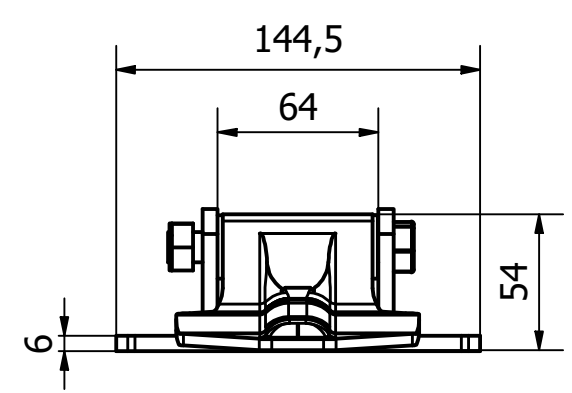
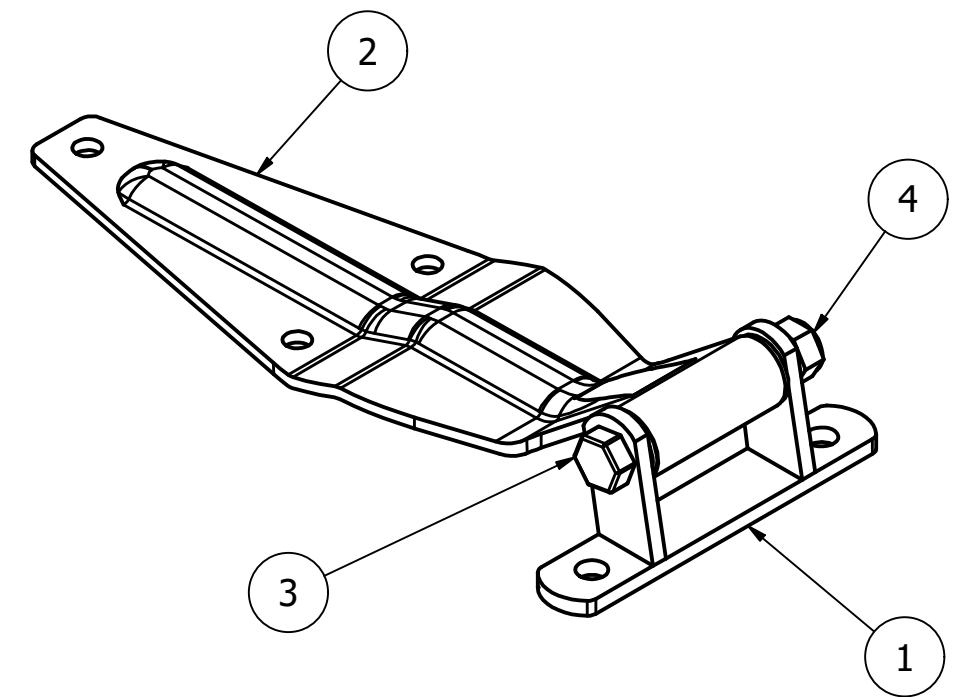
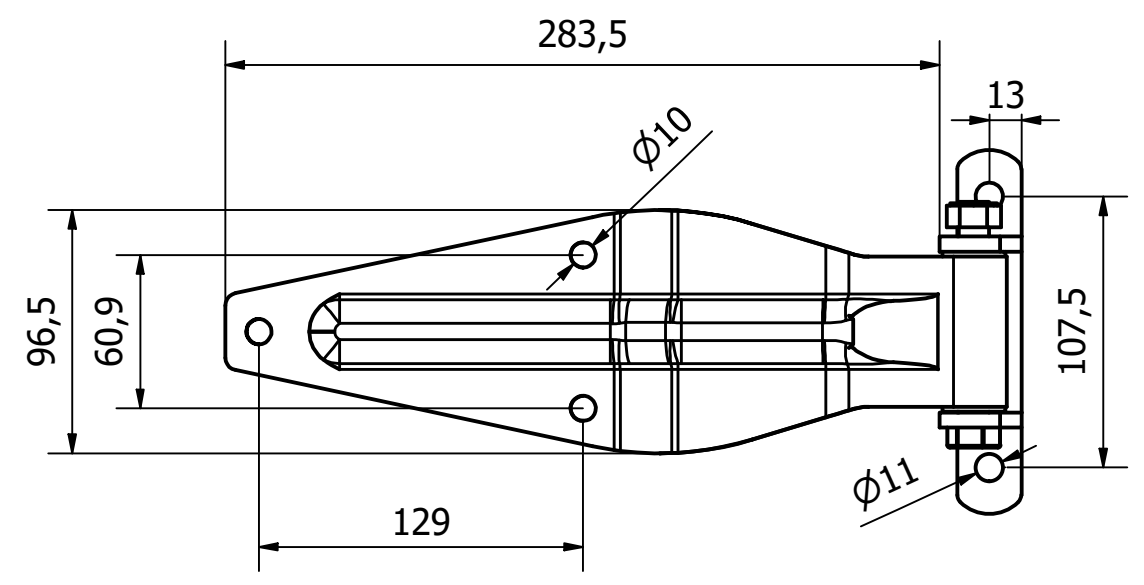


PARTS LIST			
ITEM	QTY	PART NUMBER	DESCRIPTION
1	1	2052-012-1	M/STEEL-FIXED HINGE BRACKET-Z/C PASSIVATE
2	1	2052-012-2	M/STEEL- DOOR HINGE BRACKET - Z/C PASSIVATE
3	1	2052-012-3	M/STEEL- HINGE PIN- Z/C PASSIVATE
4	1	2052-012-4	M/STEEL- HINGE PIN BOLT-Z/C PASSIVATE



1	VALIDATION COMPLETE	09/12/21	C.H
REV	DESCRIPTION	DATE	APPROVED

GENERAL TOLERANCES ON LENGTHS	
0.5 - 6 ± 0.1mm	
6 - 30 ± 0.2mm	
30 - 120 ± 0.3mm	
120 - 400 ± 0.5mm	
400 - 1000 ± 0.8mm	
1000 - 2000 ± 1.2mm	
2000 - 4000 ± 2.0mm	

ALBERT JAGGER LTD
 GREEN LANE
 WALSALL PHONE: 01922 471000
 WEST MIDLANDS FAX: 01922 648021
 WS2 8HG

THIS DRAWING & THE DESIGN SHOWN
 ARE THE PROPERTY OF ALBERT JAGGER LTD
 AND MUST NOT BE USED OR COPIED BY A
 THIRD PARTY WITHOUT PERMISSION

DRAWN BY	CHECKED BY	SCALE	MATERIAL	MASS	FINISH	Date	ALL DIMS IN MM UNLESS STATED DO NOT SCALE
S.R	C.H	1 : 3	SEE TABLE	0.413 kg	SEE TABLE	09/12/2021	A3



LARGE PRESSED STEEL HINGE GALVANISED	
2052-012	Edition 1 / Sheet 1 / 1