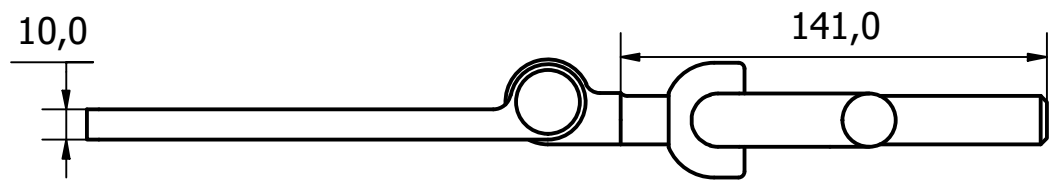
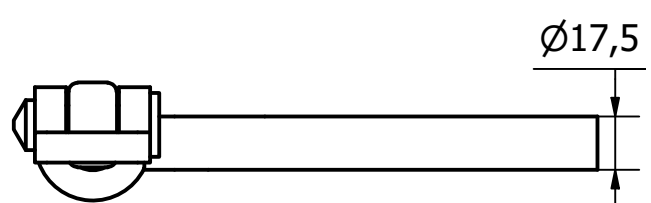
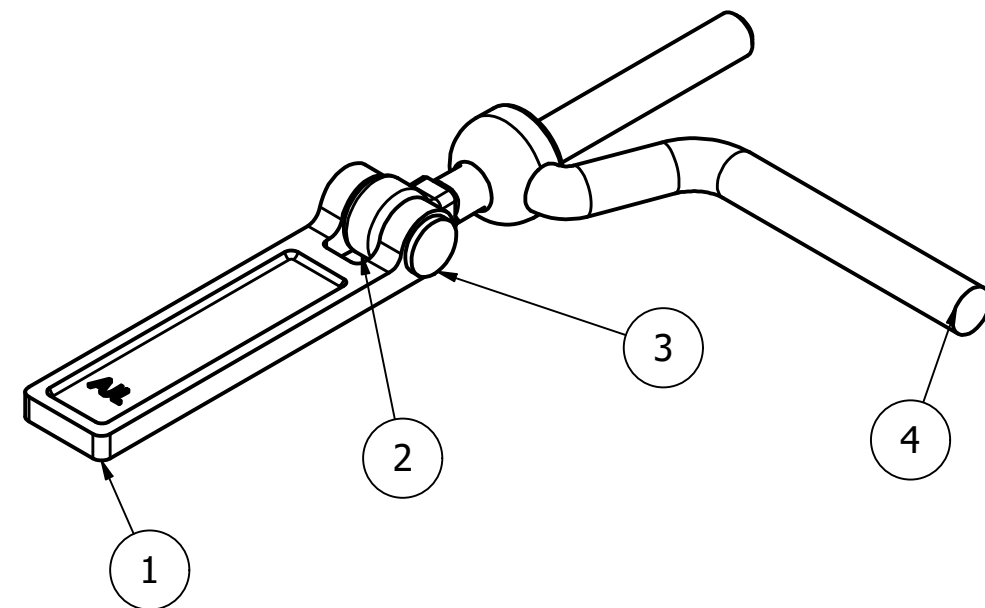
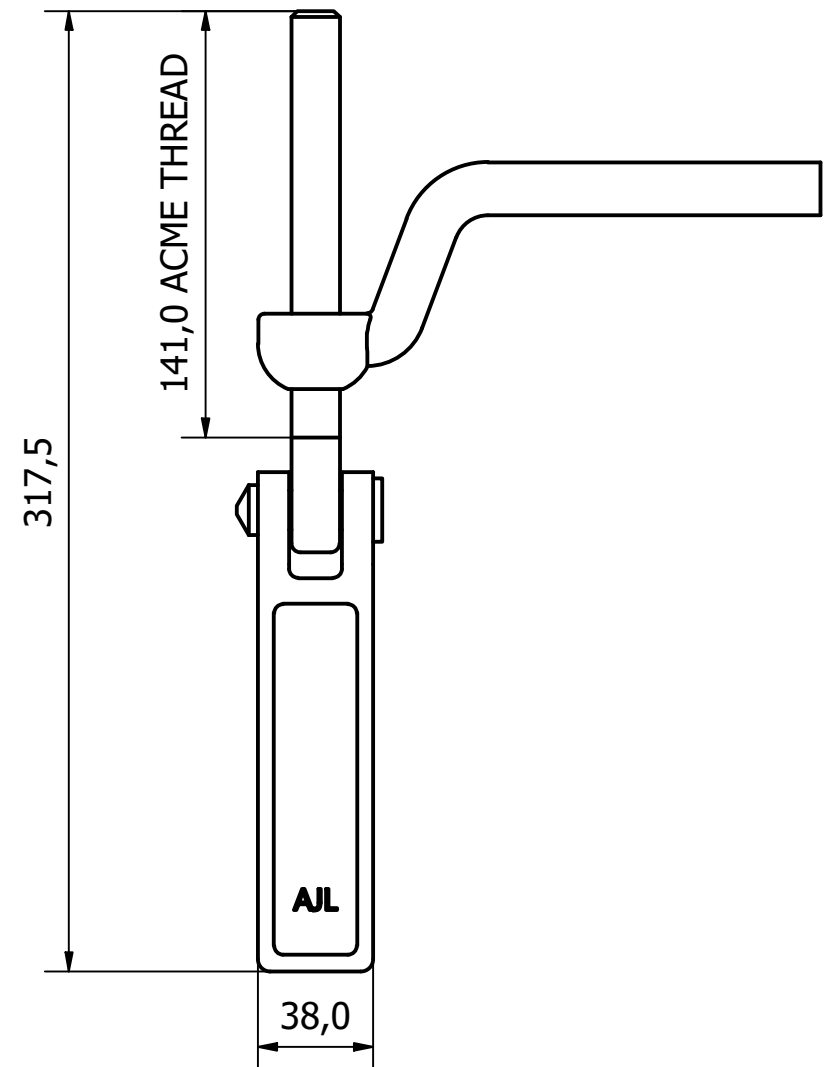


PARTS LIST			
ITEM	QTY	PART NUMBER	DESCRIPTION
1	1	2094-221-1	M/STEEL FASTENER BODY - ZINC PLATED
2	1	2094-221-2	M/STEEL M16 THREAD SHANK - ZINC PLATED
3	1	2094-221-3	M/STEEL RIVET - ZINC PLATED
4	1	2094-221-4	M/STEEL HANDLE - ZINC PLATED



1	VALIDATION COMPLETE	24/05/19	
REV	DESCRIPTION	DATE	APPROVED

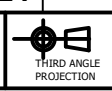
GENERAL TOLERANCES ON LENGTHS
0.5 - 6 ± 0.1mm
6 - 30 ± 0.2mm
30 - 120 ± 0.3mm
120 - 400 ± 0.5mm
400 - 1000 ± 0.8mm
1000 - 2000 ± 1.2mm
2000 - 4000 ± 2.0mm

ALBERT JAGGER LTD
 GREEN LANE
 WALSALL PHONE: 01922 471000
 WEST MIDLANDS FAX: 01922 648021
 WS2 8HG

THIS DRAWING & THE DESIGN SHOWN ARE THE PROPERTY OF ALBERT JAGGER LTD AND MUST NOT BE USED OR COPIED BY A THIRD PARTY WITHOUT PERMISSION

DRAWN BY
A.S

CHECKED BY
A.P



SCALE
1:2.5

MATERIAL
SEE DRAWING

MASS
1.281 kg

FINISH
SEE DRAWING

Date
03/05/2019

ALL DIMS IN MM UNLESS STATED DO NOT SCALE

A3



RAMP FASTENER ASSEMBLY - M16 THREAD	
2094-221	Edition 1 / Sheet 1 / 1