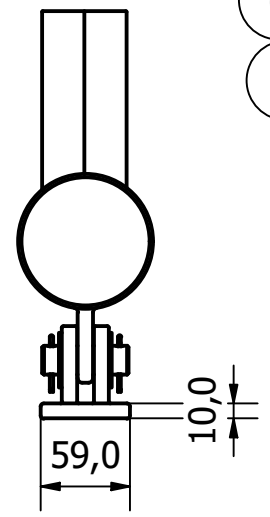
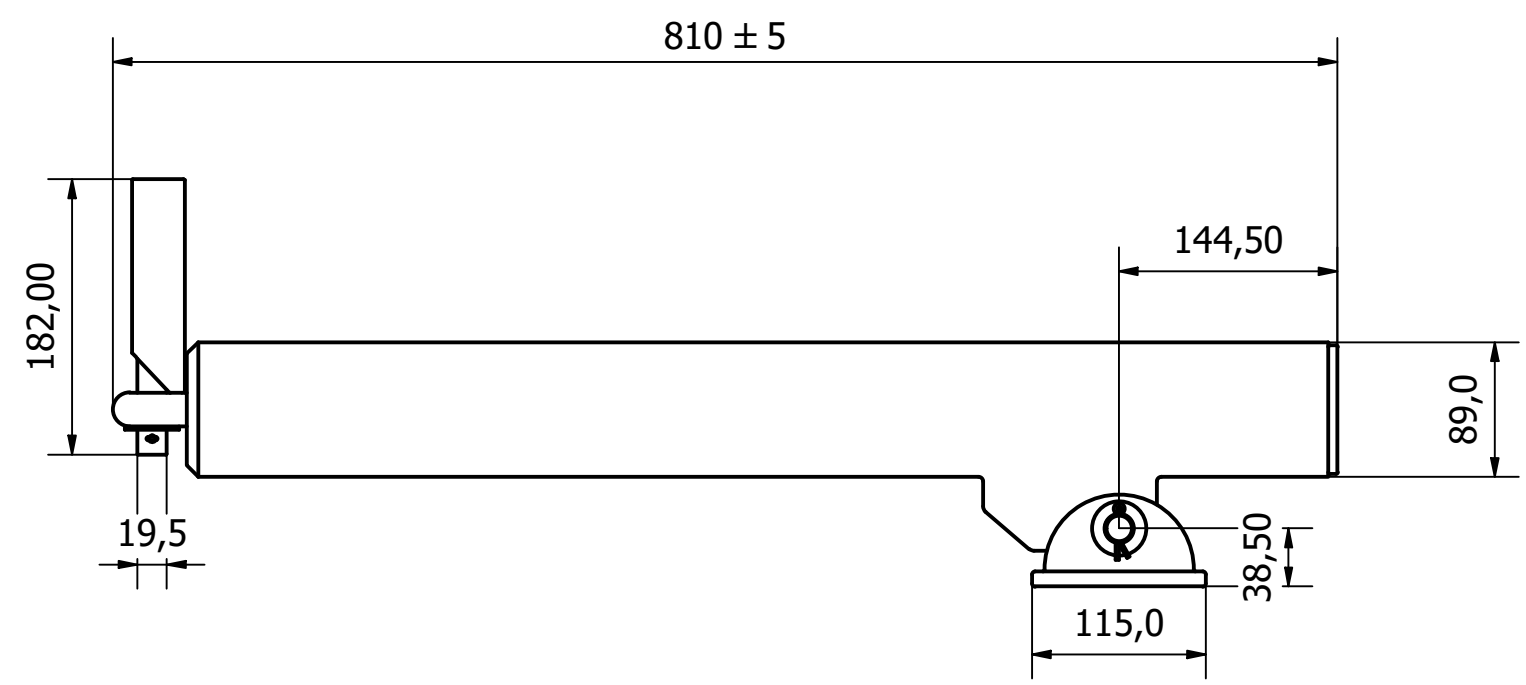
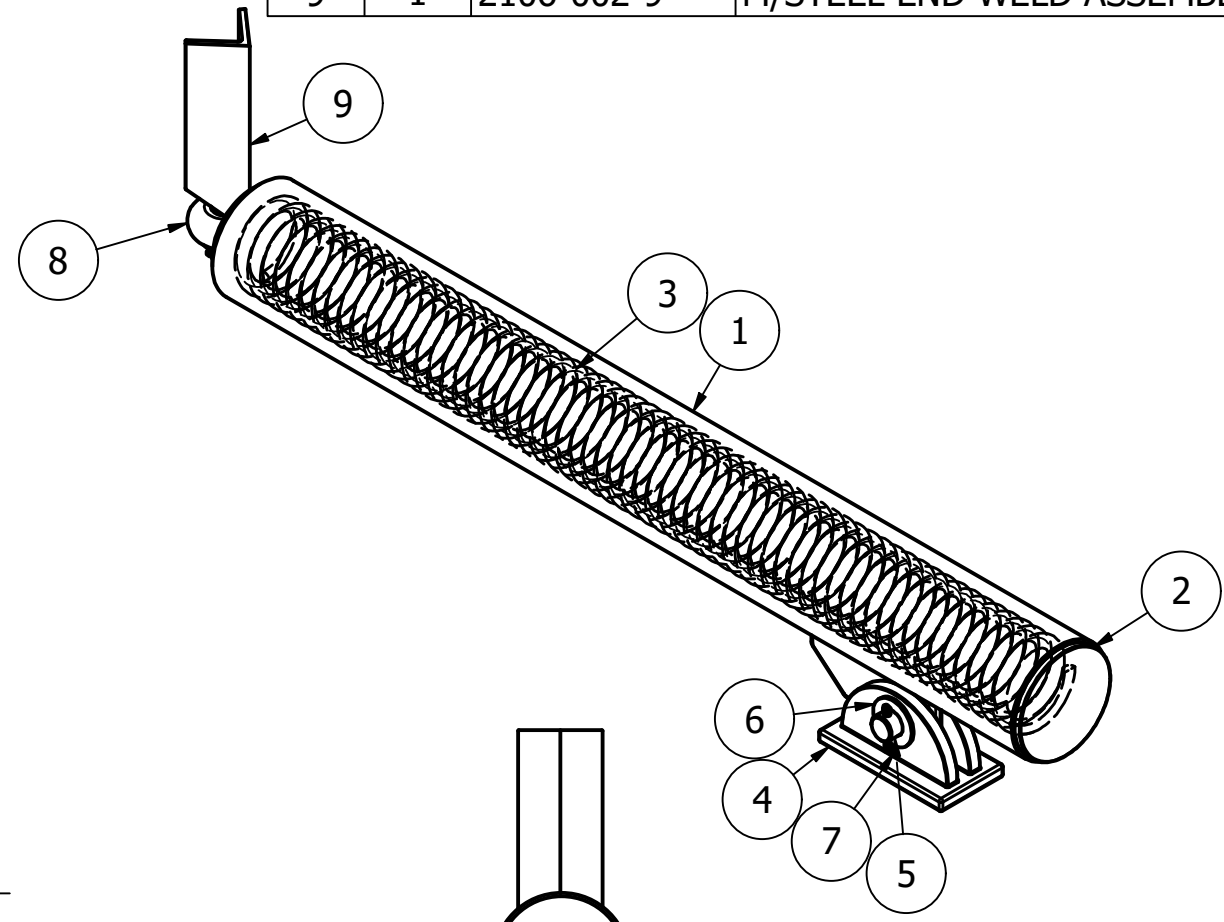
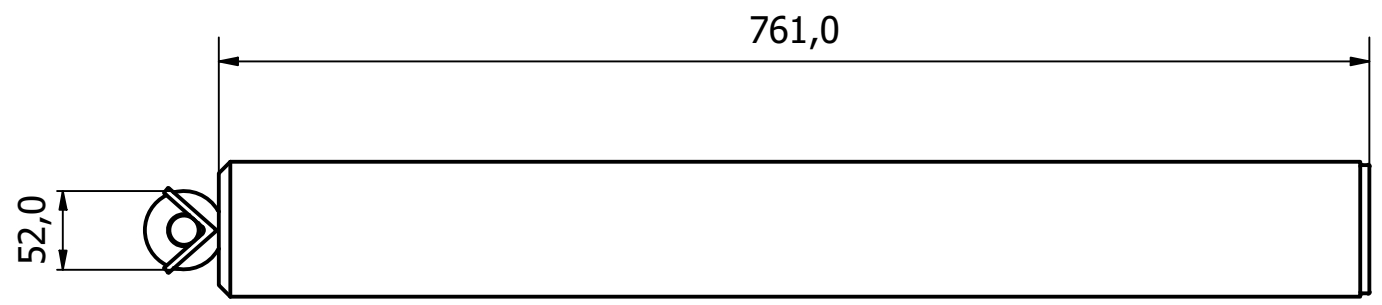


6 1 5 1 4 3 1 2 1 1

PARTS LIST			
ITEM	QTY	PART NUMBER	DESCRIPTION
1	1	2106-002-1	M/STEEL SPRING BODY - GREY
2	1	2106-002-2	PLASTIC END CAP - BLACK
3	1	2106-002-3	COLD DRAWN STEEL COIL SPRING - RED
4	1	2106-002-4	M/STEEL FOOT - GREY
5	1	2106-002-5	M/STEEL FOOT RETAINING PIN - GREY
6	3	2106-002-6	M/STEEL WASHER - Z/C PASSIVATED
7	3	2106-002-7	M/STEEL R-CLIP - Z/C PASSIVATED
8	1	2106-002-8	STEEL SPRING EYE - GREY
9	1	2106-002-9	M/STEEL END WELD ASSEMBLY - GREY

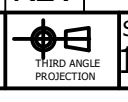


NOTE:  
 COLD DRAWN WIRE STEEL WIRE SPRING TO BS 5216:1991 WITH RED PAINT FINISH  
 136 kg SWL

GENERAL TOLERANCES ON LENGTHS
0.5 - 6 ± 0.1mm
6 - 30 ± 0.2mm
30 - 120 ± 0.3mm
120 - 400 ± 0.5mm
400 - 1000 ± 0.8mm
1000 - 2000 ± 1.2mm
2000 - 4000 ± 2.0mm

ALBERT JAGGER LTD  
 GREEN LANE  
 WALSALL PHONE: 01922 471000  
 WEST MIDLANDS FAX: 01922 648021  
 WS2 8HG  
 THIS DRAWING & THE DESIGN SHOWN ARE THE PROPERTY OF ALBERT JAGGER LTD AND MUST NOT BE USED OR COPIED BY A THIRD PARTY WITHOUT PERMISSION

DRAWN BY U.F  
 CHECKED BY A.P



SCALE 1 : 5

MATERIAL SEE TABLE

MASS 16.831 kg

FINISH SEE TABLE

Date 20/05/2019

ALL DIMS IN MM UNLESS STATED DO NOT SCALE

A3



RAMP SPRING ASSEMBLY - SIDE MOUNT

2106-002

Edition 1

Sheet 1 / 1

A

A

6 1 5 1 4 3 1 2 1 1