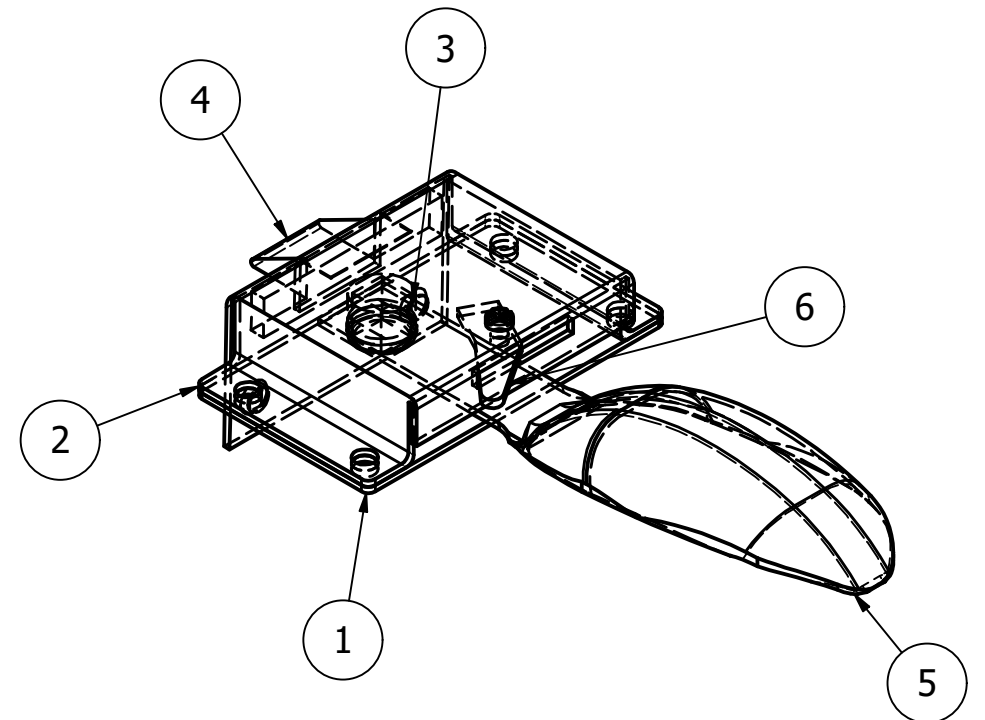
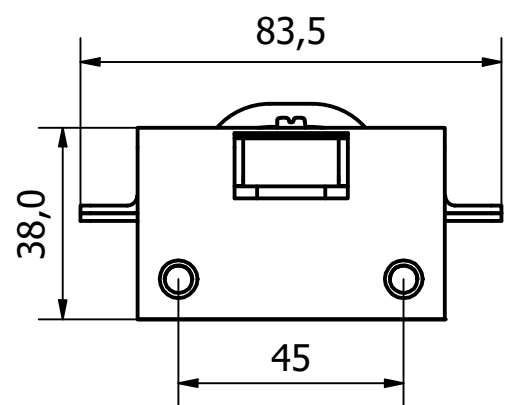
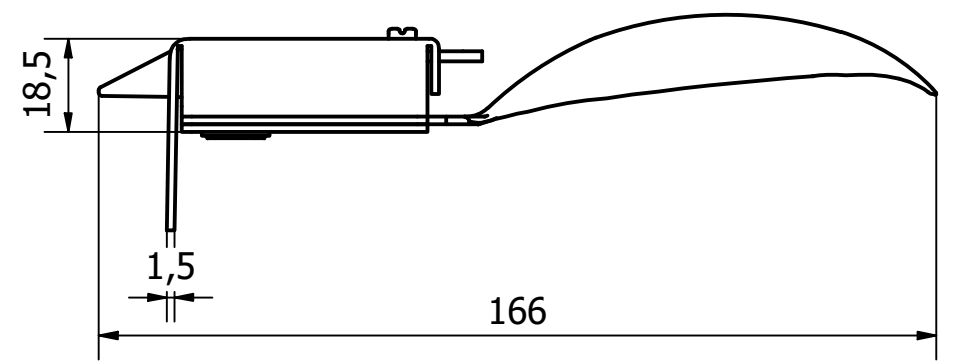
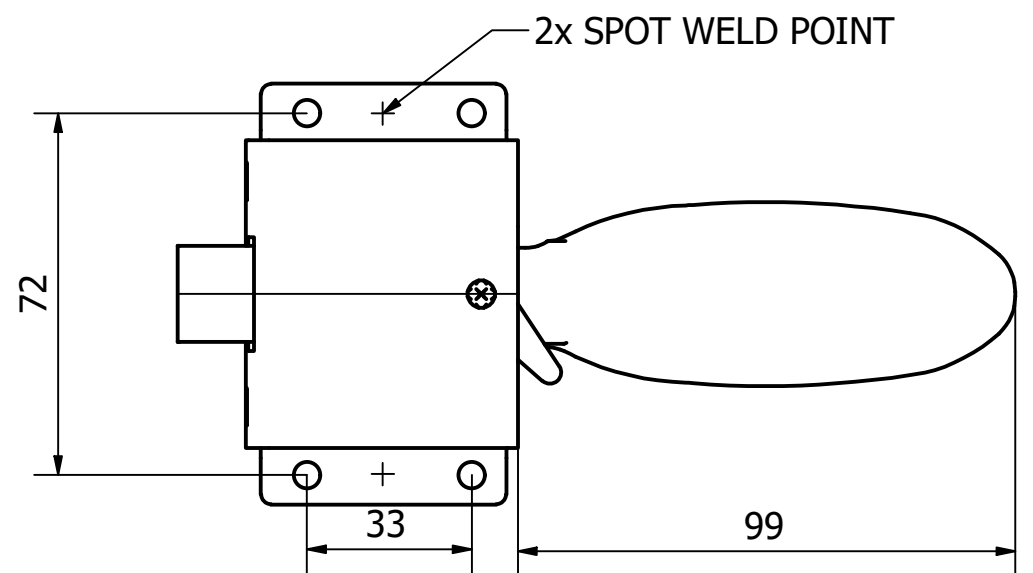


PARTS LIST			
ITEM	QTY	PART NUMBER	DESCRIPTION
1	1	2121-002	M/STEEL - SLAM LOCK BASE PLATE-Z/C PASSIVATE
2	1	2121-002-2	M/STEEL- PRESSED SLAM LOCK BODY- Z/C PASSIVATE
3	1	2121-002-3	M/STEEL - LOCK BARREL- Z/C PASSIVATE
4	1	2121-002-4	MALLEABLE IRON - TONUGE
5	1	2121-002-5	M/STEEL - HANDLE- Z/C PASSIVATE
6	1	2121-002-6	M/STEEL - LOCK- Z/C PASSIVATE



1	VALIDATION COMPLETE	02/12/21	C.H
REV	DESCRIPTION	DATE	APPROVED

GENERAL TOLERANCES ON LENGTHS
0.5 - 6 ± 0.1mm
6 - 30 ± 0.2mm
30 - 120 ± 0.3mm
120 - 400 ± 0.5mm
400 - 1000 ± 0.8mm
1000 - 2000 ± 1.2mm
2000 - 4000 ± 2.0mm

ALBERT JAGGER LTD
 GREEN LANE
 WALSALL PHONE: 01922 471000
 WEST MIDLANDS FAX: 01922 648021
 WS2 8HG

THIS DRAWING & THE DESIGN SHOWN ARE THE PROPERTY OF ALBERT JAGGER LTD AND MUST NOT BE USED OR COPIED BY A THIRD PARTY WITHOUT PERMISSION

DRAWN BY S.R
 CHECKED BY C.H
 SCALE 1 : 1.5
 MATERIAL SEE TABLE
 MASS 0.213 kg
 FINISH SEE TABLE
 Date 30/11/2021
 ALL DIMS IN MM UNLESS STATED DO NOT SCALE



SLAM LOCK - SC / WITH HANDLE, LOCKING

2121-002

Edition 1
 Sheet 1 / 1