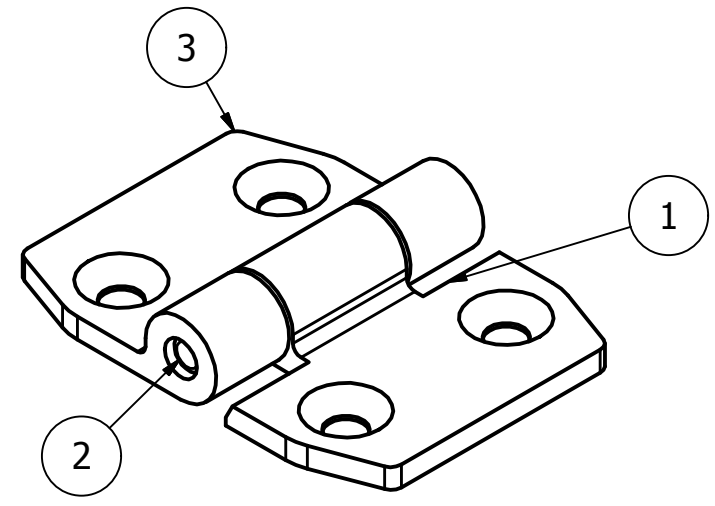
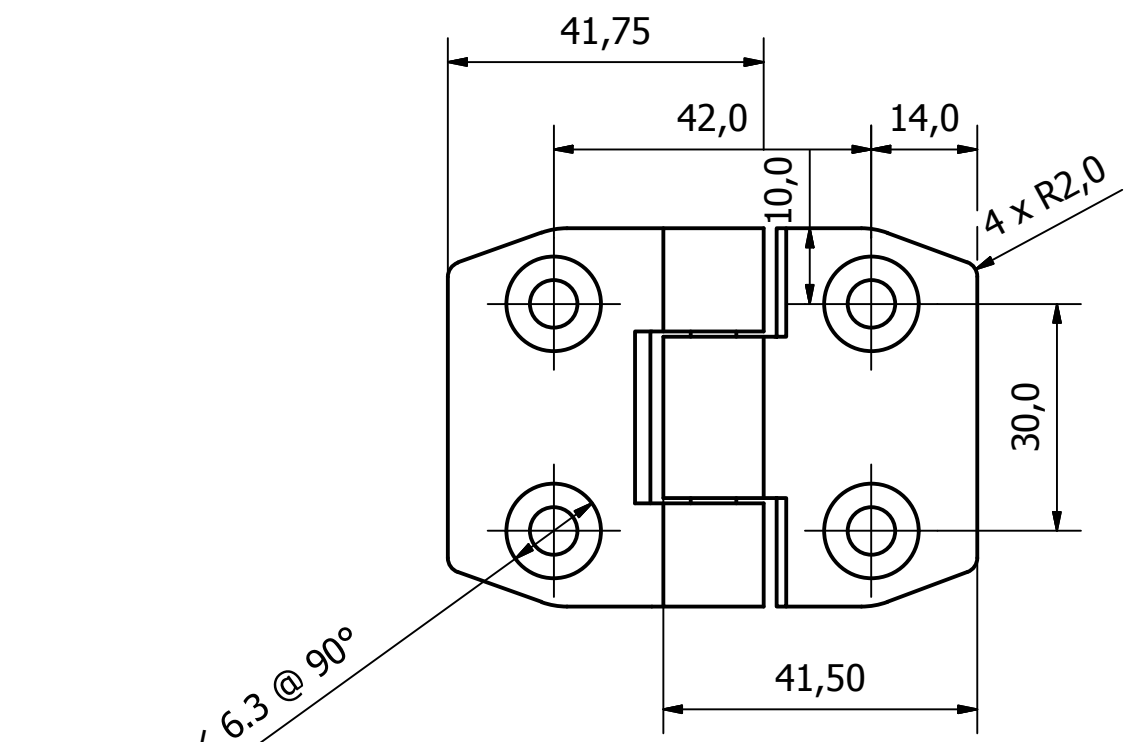


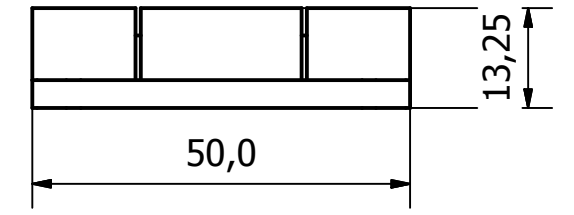
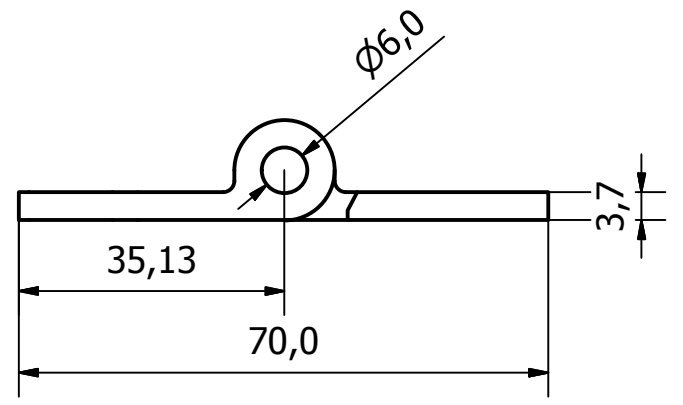
6 5 4 3 2 1

PARTS LIST			
ITEM	QTY	PART NUMBER	DESCRIPTION
1	1	2218-002-1	HINGE BASE PLATE (SHORT FLAP) - M/STEEL
2	1	2218-001-2	METRO BLAST BUSH
3	1	2218-003-1	HINGE MAIN PLATE (SHORT FLAP) - M/STEEL

D  
C  
B  
A



4 x Ø12,5  $\sphericalangle$  6.3 @ 90°



NOTE:  
HINGE DESIGNED FOR UP TO 260° APPLICATIONS

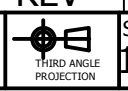
GENERAL TOLERANCES ON LENGTHS
0.5 - 6 ± 0.1mm
6 - 30 ± 0.2mm
30 - 120 ± 0.3mm
120 - 400 ± 0.5mm
400 - 1000 ± 0.8mm
1000 - 1200 ± 1.2mm
2000 - 4000 ± 2.0mm

ALBERT JAGGER LTD  
GREEN LANE  
WALSALL PHONE: 01922 471000  
WEST MIDLANDS FAX: 01922 648021  
WS2 8HG

THIS DRAWING & THE DESIGN SHOWN ARE THE PROPERTY OF ALBERT JAGGER LTD AND MUST NOT BE USED OR COPIED BY A THIRD PARTY WITHOUT PERMISSION

DRAWN BY  
U.F

CHECKED BY  
A.P



SCALE  
1 : 1

MATERIAL  
-

MASS  
0.125 kg

FINISH  
Z/C  
PASSIVATE

Date  
30/09/2016

APPROVED  
A3

ALL DIMS IN MM UNLESS STATED DO NOT SCALE



MAINTENANCE FREE SOLID DRAWN STEEL HINGE - SHORT/SHORT FLAPS

2218-003

Edition 1 Sheet 1 / 1

1	VALIDATION COMPLETE	12/10/16	A.P
REV	DESCRIPTION	DATE	APPROVED

6 5 4 3 2 1