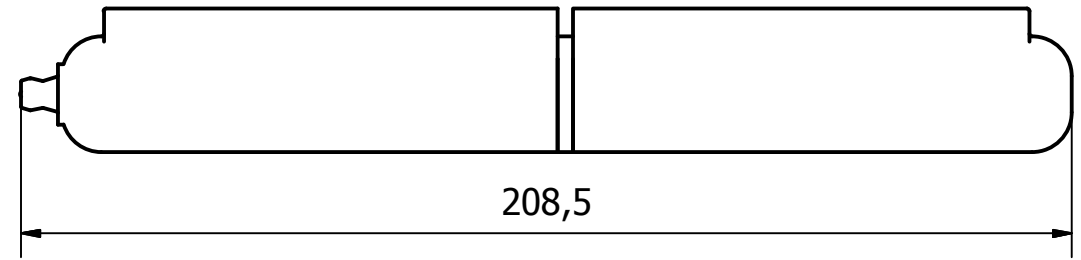
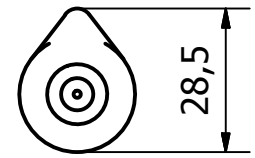
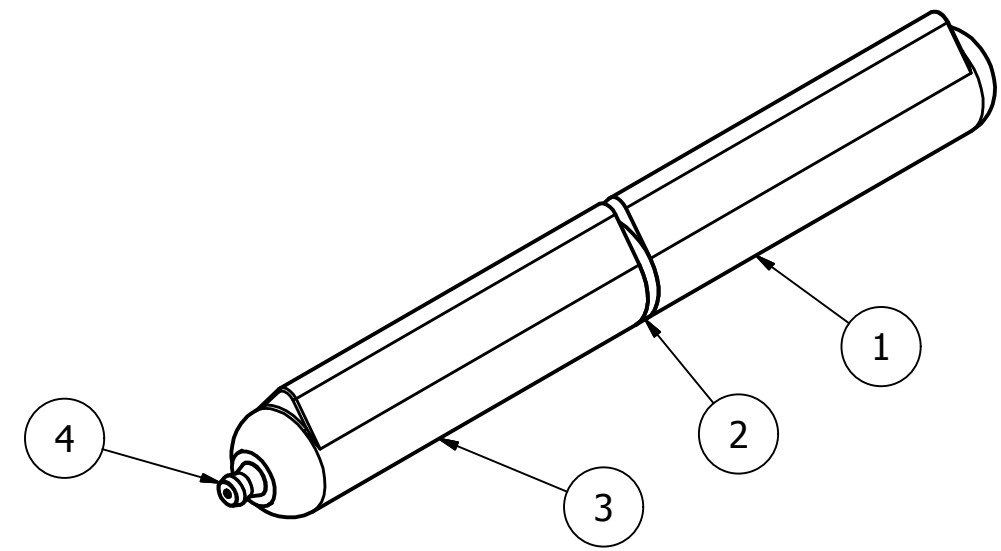
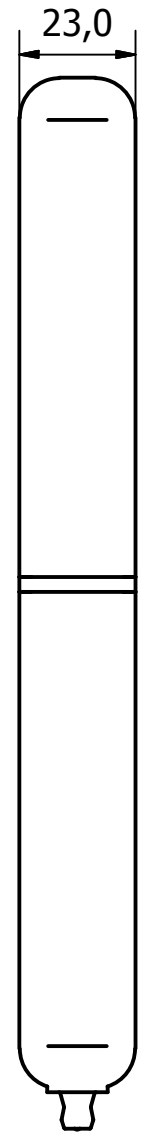


PARTS LIST			
ITEM	QTY	PART NUMBER	DESCRIPTION
1	1	2217-011-1	CARBON STEEL HINGE BASE
2	1	2217-011-2	BRASS BEARING WASHER
3	1	2219-009-1	CARBON STEEL MOUNTING BLOCK
4	1	2219-009-2	SS GREASE NIPPLE



1	VALIDATION COMPLETE	20/01/2017	A.P
REV	DESCRIPTION	DATE	APPROVED

GENERAL TOLERANCES ON LENGTHS
0.5 - 6 ± 0.1mm
6 - 30 ± 0.2mm
30 - 120 ± 0.3mm
120 - 400 ± 0.5mm
400 - 1000 ± 0.8mm
1000 - 1200 ± 1.2mm
2000 - 4000 ± 2.0mm

ALBERT JAGGER LTD
 GREEN LANE
 WALSALL PHONE: 01922 471000
 WEST MIDLANDS FAX: 01922 648021
 WS2 8HG

THIS DRAWING & THE DESIGN SHOWN ARE THE PROPERTY OF ALBERT JAGGER LTD AND MUST NOT BE USED OR COPIED BY A THIRD PARTY WITHOUT PERMISSION

DRAWN BY
U.F

CHECKED BY
A.P

SCALE	MATERIAL	MASS	FINISH	Date	ALL DIMS IN MM UNLESS STATED DO NOT SCALE
1:1.5	-	0.674 kg	NATURAL	14/11/2016	A3



WELD ON LIFT - OFF HINGE - 208.5 O/A SS GREASE NIPPLE	
2219-009	Edition 1 / Sheet 1 / 1