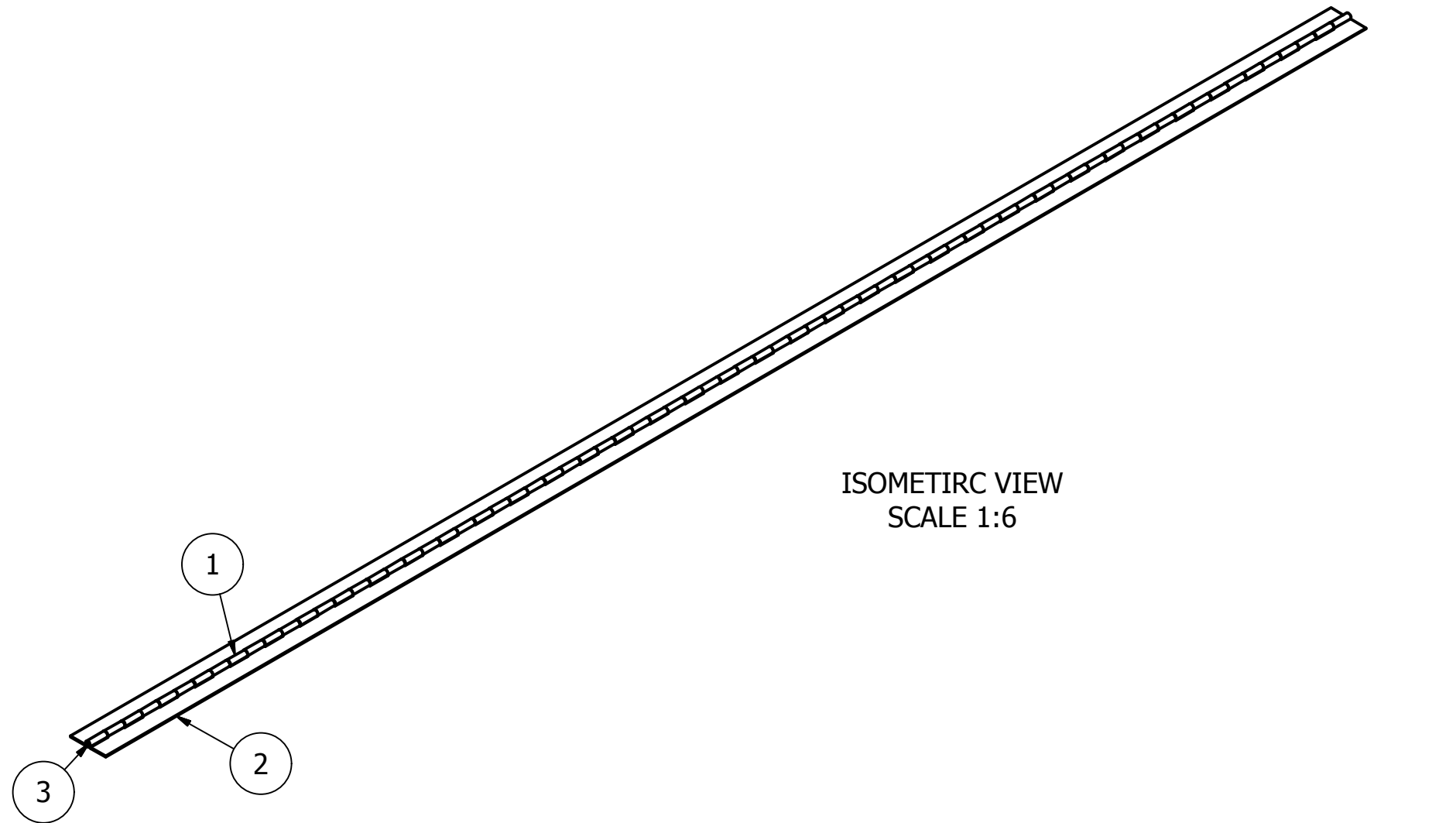
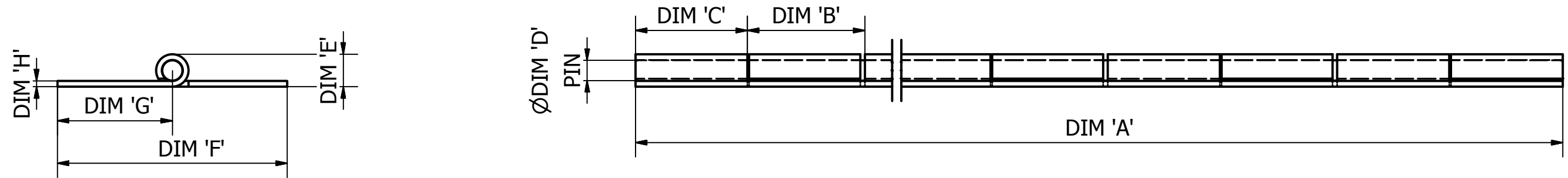


PART No.	DIM 'A'	DIM 'B'	DIM 'C'	DIM 'D'	DIM 'E'	DIM 'F'	DIM 'G'	DIM 'H'
2233/623	1828.0	26.0	24.8	4.5	7.2	50.9	25.45	1.3
2233/679	1829.0	25.9	24.8	5.9	10.5	75.9	37.95	2.1

PARTS LIST			
ITEM	QTY	PART NUMBER	DESCRIPTION
1	1	2233-623-1	M/STEEL HINGE FLAP - LH
2	1	2233-623-2	M/STEEL HINGE FLAP - RH
3	1	2233-623-3	M/STEEL HINGE PIN



ISOMETRIC VIEW
SCALE 1:6



1	VALIDATION COMPLETE	13/04/17	A.P
REV	DESCRIPTION	DATE	APPROVED

GENERAL TOLERANCES ON LENGTHS
0.5 - 6 ± 0.1mm
6 - 30 ± 0.2mm
30 - 120 ± 0.3mm
120 - 400 ± 0.5mm
400 - 1000 ± 0.8mm
1000 - 1200 ± 1.2mm
2000 - 4000 ± 2.0mm

ALBERT JAGGER LTD
GREEN LANE
WALSALL PHONE: 01922 471000
WEST MIDLANDS FAX: 01922 648021
WS2 8HG

THIS DRAWING & THE DESIGN SHOWN ARE THE PROPERTY OF ALBERT JAGGER LTD AND MUST NOT BE USED OR COPIED BY A THIRD PARTY WITHOUT PERMISSION

DRAWN BY
U.F

CHECKED BY
A.P



SCALE
1:1

MATERIAL
-

MASS
1.396 kg

FINISH
Z/C
PASSIVATE

Date
22/03/2017

ALL DIMS IN MM
UNLESS STATED
DO NOT SCALE

A3



M/STEEL PIANO HINGE - 1828 O/A

2233-623

Edition
1

Sheet
1 / 1