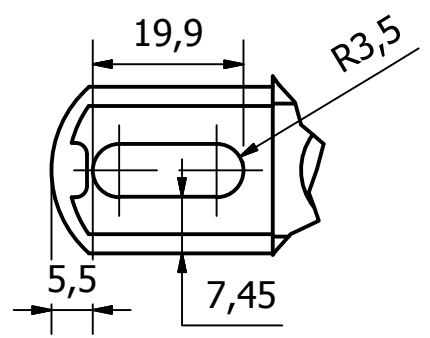
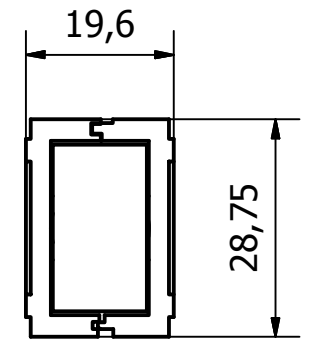
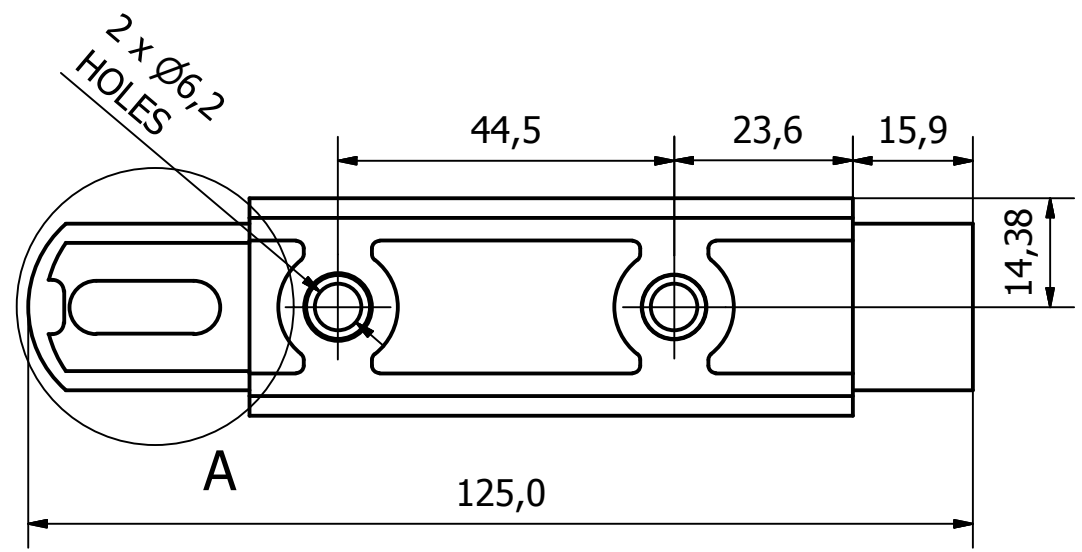
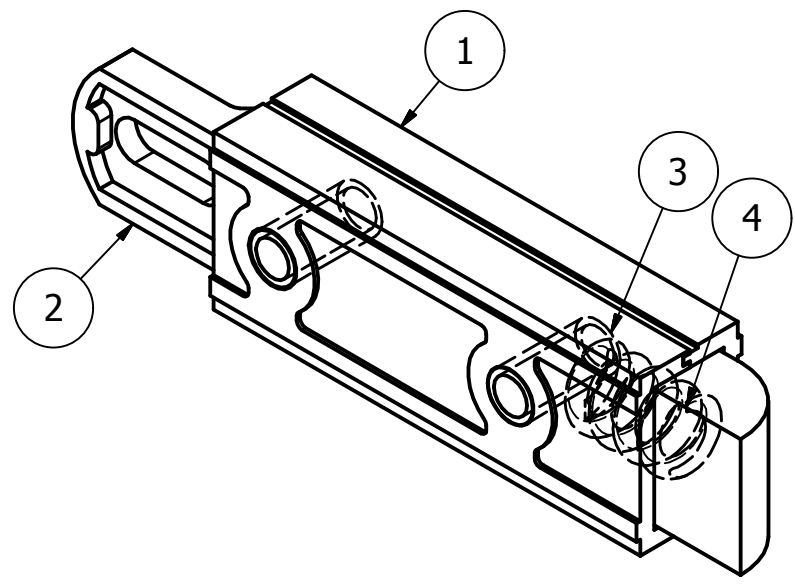
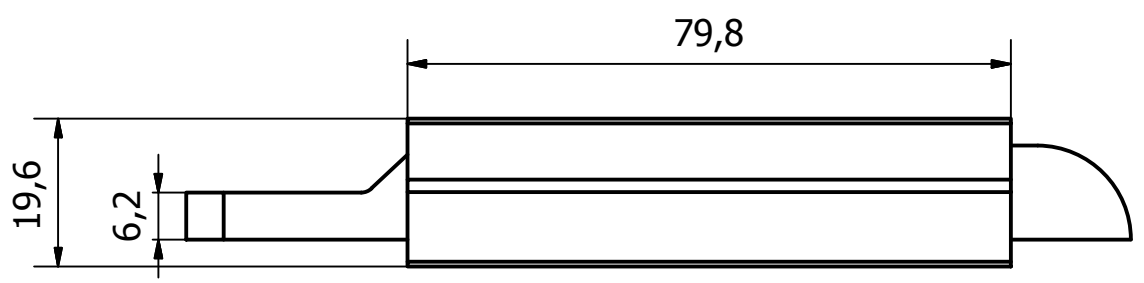


PARTS LIST			
ITEM	QTY	PART NUMBER	DESCRIPTION
1	1	2475-001-1	BLACK COPOLYMER SLAM BODY
2	1	2475-001-2	BLACK COPOLYMER SLAM LEVER
3	2	2475-001-3	BLACK COPOLYMER SLAM INSERT
4	1	2475-001-4	S/STEEL SPRING



DETAIL A

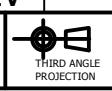
GENERAL TOLERANCES ON LENGTHS
0.5 - 6 ± 0.1mm
6 - 30 ± 0.2mm
30 - 120 ± 0.3mm
120 - 400 ± 0.5mm
400 - 1000 ± 0.8mm
1000 - 1200 ± 1.2mm
2000 - 4000 ± 2.0mm

ALBERT JAGGER LTD  
 GREEN LANE  
 WALSALL PHONE: 01922 471000  
 WEST MIDLANDS FAX: 01922 648021  
 WS2 8HG

THIS DRAWING & THE DESIGN SHOWN ARE THE PROPERTY OF ALBERT JAGGER LTD AND MUST NOT BE USED OR COPIED BY A THIRD PARTY WITHOUT PERMISSION

DRAWN BY  
U.F

CHECKED BY  
A.P



SCALE  
1:1

MATERIAL  
-

MASS  
0.018 kg

FINISH  
BLACK

Date  
21/12/2016

ALL DIMS IN MM UNLESS STATED DO NOT SCALE

A3

1	VALIDATION COMPLETE	21/12/16	A.P
REV	DESCRIPTION	DATE	APPROVED
	COPOLYMER END SLAM - S/S SPRING		
	2475-001	Edition 1	Sheet 1 / 1



2475-001