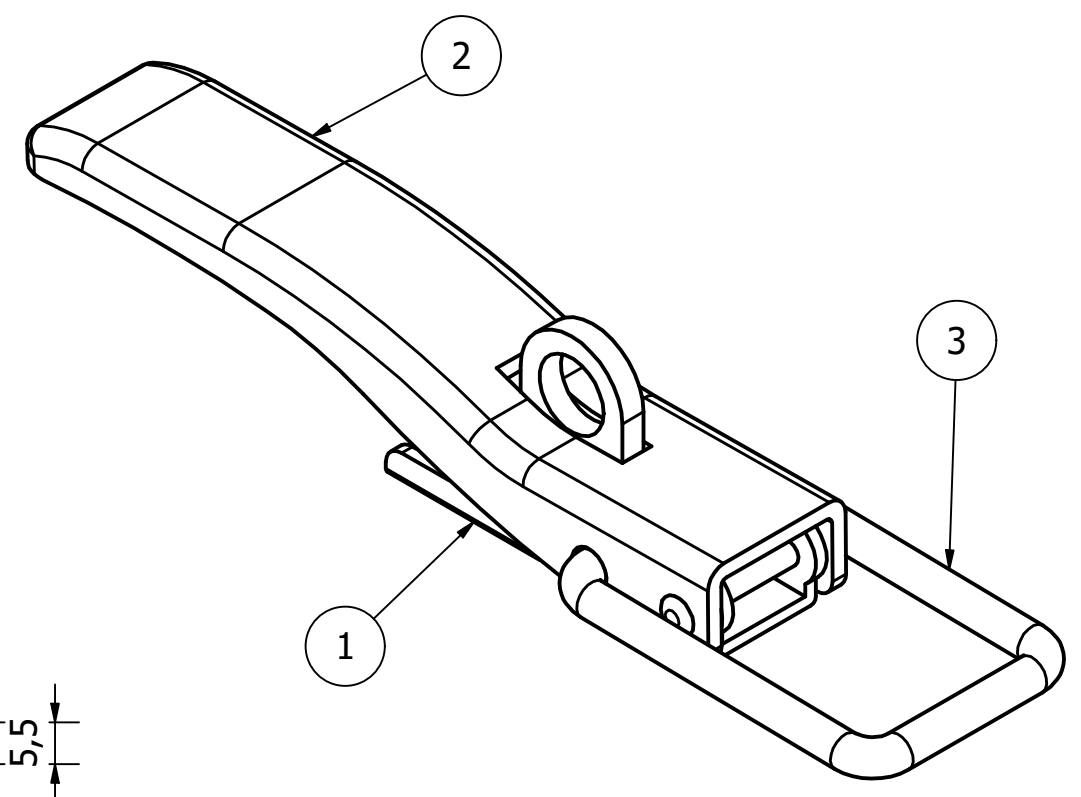
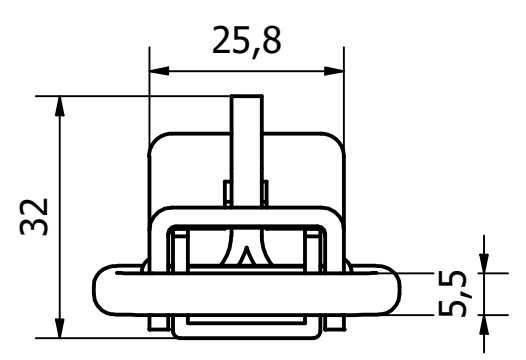
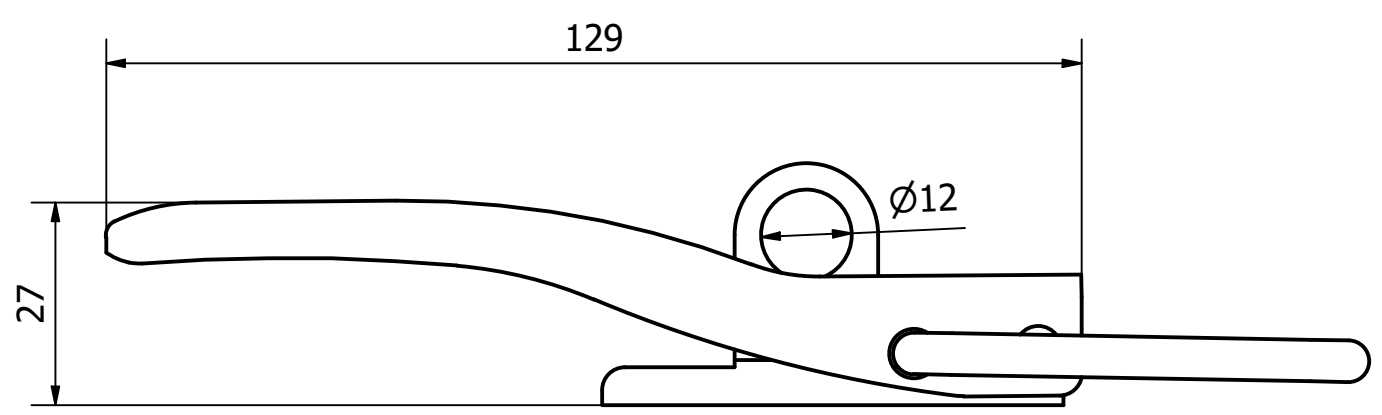
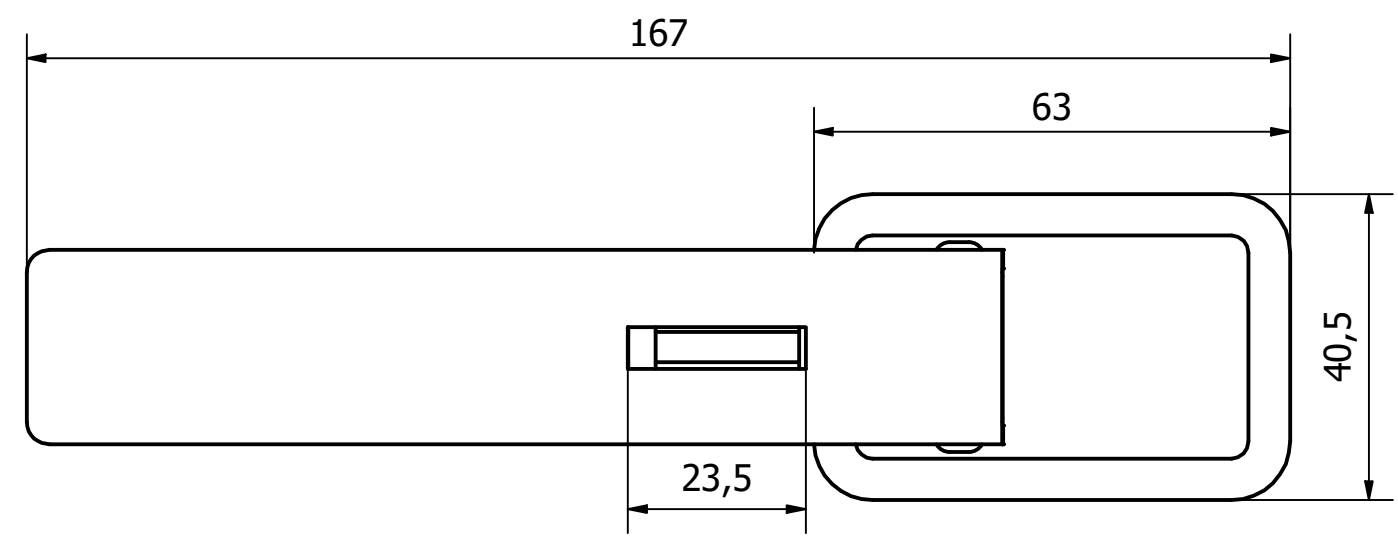


PARTS LIST			
ITEM	QTY	PART NUMBER	DESCRIPTION
1	1	2665-001-3	M/STEEL -PADLOCK LOCK BODY- BLACK
2	1	2665-001-1	M/STEEL- FASTENER BODY- BLACK
3	1	2665-001-2	M/STEEL-FASTENER RING-BLACK



1	VALIDATION COMPLETE	11/01/2022	C.H
REV	DESCRIPTION	DATE	APPROVED

DRAWN BY	CHECKED BY	SCALE	MATERIAL	MASS	FINISH	Date	ALL DIMS IN MM UNLESS STATED DO NOT SCALE	A3
S.R	C.H	1 : 1	SEE TABLE	0.174 kg	SEE TABLE	10/01/2022		
						OVERCENTRE FASTENER - LOCKING		
						2665-001	Edition 1	Sheet 1 / 1

GENERAL TOLERANCES ON LENGTHS	
0.5 - 6 ± 0.1mm	
6 - 30 ± 0.2mm	
30 - 120 ± 0.3mm	
120 - 400 ± 0.5mm	
400 - 1000 ± 0.8mm	
1000 - 2000 ± 1.2mm	
2000 - 4000 ± 2.0mm	

ALBERT JAGGER LTD
GREEN LANE
WALSALL PHONE: 01922 471000
WEST MIDLANDS FAX: 01922 648021
WS2 8HG

THIS DRAWING & THE DESIGN SHOWN ARE THE PROPERTY OF ALBERT JAGGER LTD AND MUST NOT BE USED OR COPIED BY A THIRD PARTY WITHOUT PERMISSION

DRAWN BY S.R
CHECKED BY C.H
THIRD ANGLE PROJECTION