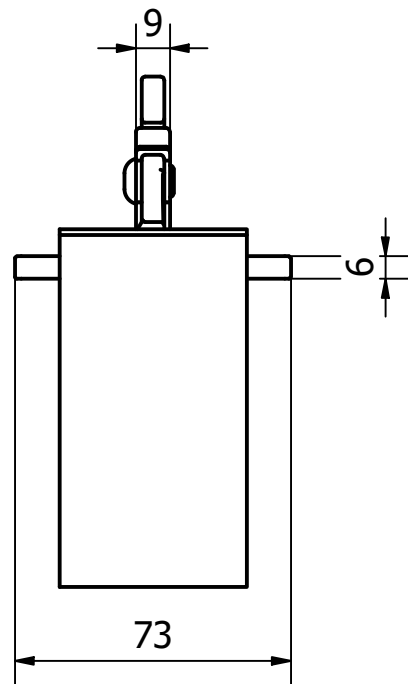
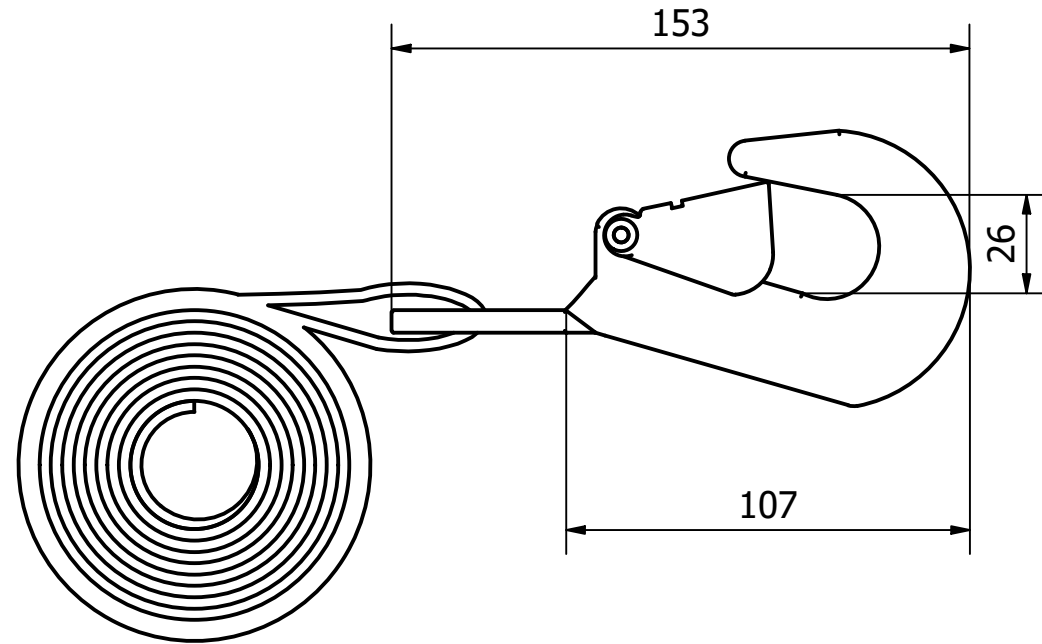
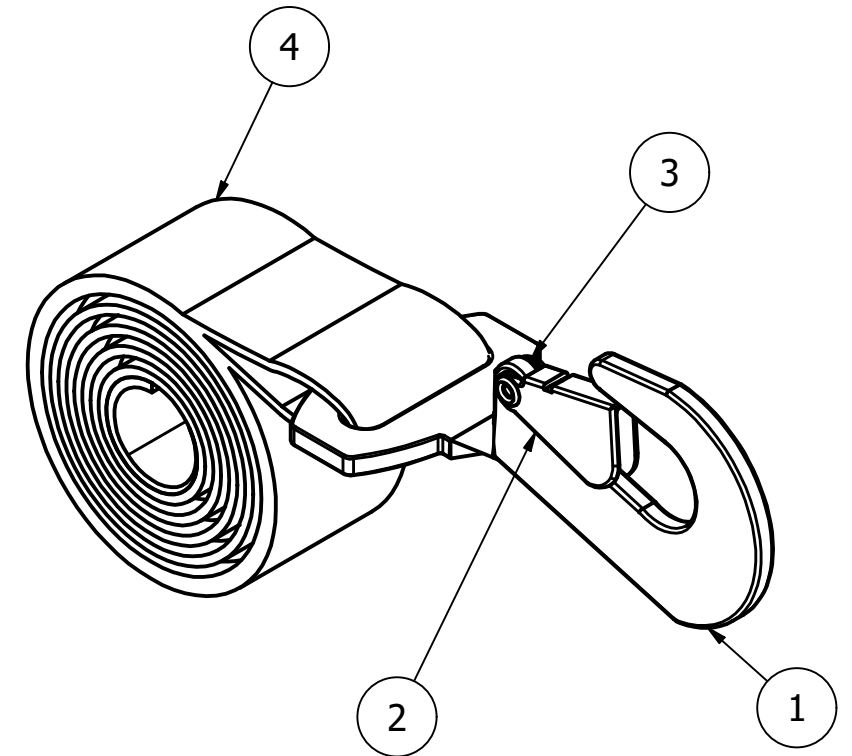
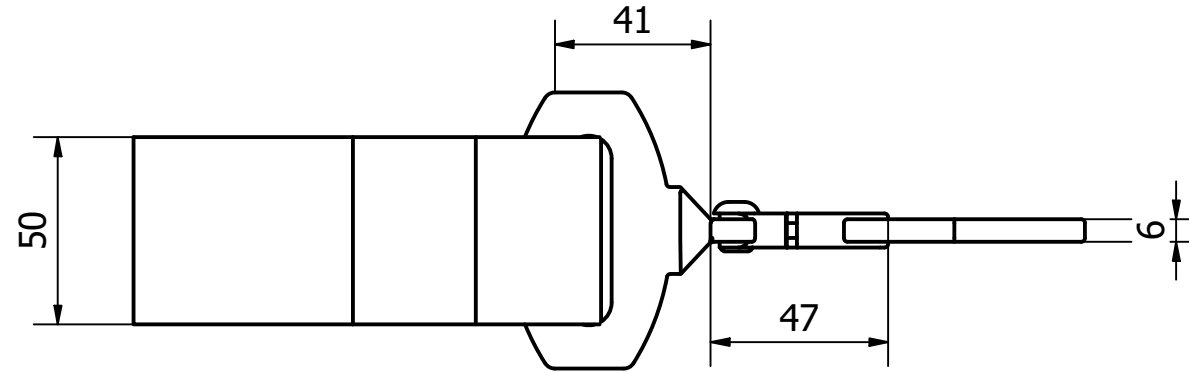


PARTS LIST			
ITEM	QTY	PART NUMBER	DESCRIPTION
1	1	2712-003-1	M/STEEL-ZINC PLATED & GOLD PASSIVATED SNAP HOOK
2	1	2712-003-2	M/STEEL-PADDLE PUSH LOCK- ZINC PLATED-Z/C PASSIVATE
3	1	2712-003-3	M/STEEL - RIVIT
4	1	2712-003-4	ORANGE HEAVY DUTY POLYESTER WEBBING



NOTE:
1.5M STRAP WINCH LENGTH

1	VALIDATION COMPLETE	08/09/2021	C.H
REV	DESCRIPTION	DATE	APPROVED

GENERAL TOLERANCES ON LENGTHS
0.5 - 6 ± 0.1mm
6 - 30 ± 0.2mm
30 - 120 ± 0.3mm
120 - 400 ± 0.5mm
400 - 1000 ± 0.8mm
1000 - 2000 ± 1.2mm
2000 - 4000 ± 2.0mm

ALBERT JAGGER LTD
GREEN LANE
WALSALL PHONE: 01922 471000
WEST MIDLANDS FAX: 01922 648021
WS2 8HG

THIS DRAWING & THE DESIGN SHOWN ARE THE PROPERTY OF ALBERT JAGGER LTD AND MUST NOT BE USED OR COPIED BY A THIRD PARTY WITHOUT PERMISSION

DRAWN BY
S.R

CHECKED BY
C.H

THIRD ANGLE PROJECTION

SCALE
1 : 2

MATERIAL
SEE TABLE

MASS
0.562 kg

FINISH
SEE TABLE

Date
01/09/2021

ALL DIMS IN MM UNLESS STATED DO NOT SCALE

A3



LASHING WINCH STRAP & HOOK					
2712-003	<table border="1"> <tr> <td>Edition</td> <td>Sheet</td> </tr> <tr> <td>1</td> <td>1 / 1</td> </tr> </table>	Edition	Sheet	1	1 / 1
Edition	Sheet				
1	1 / 1				