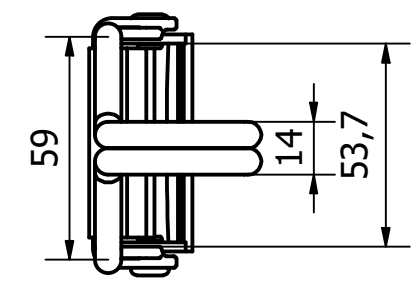
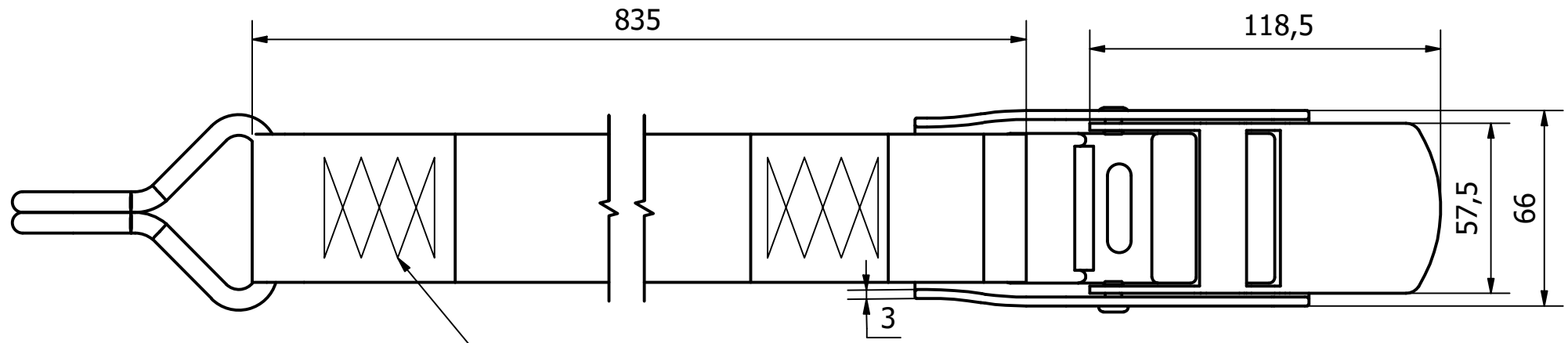
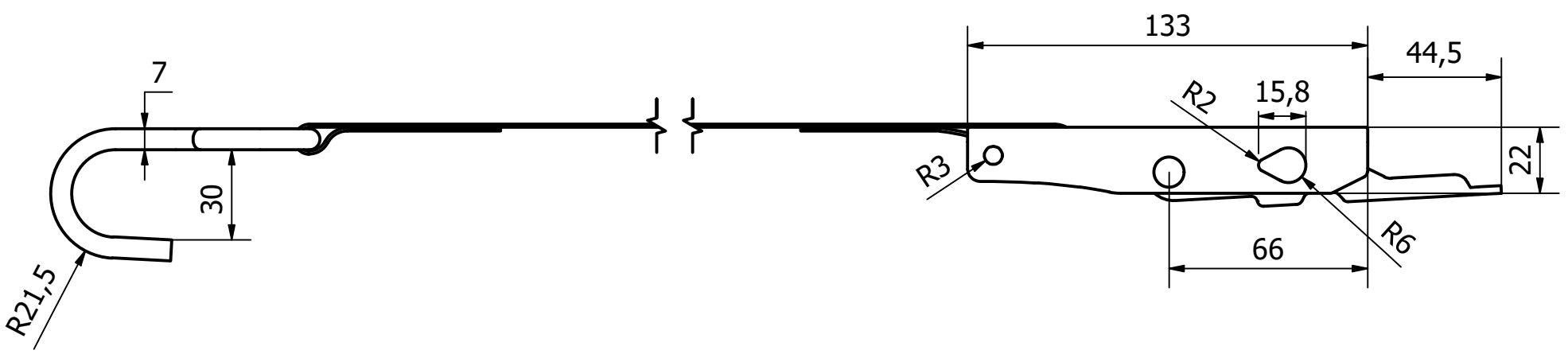
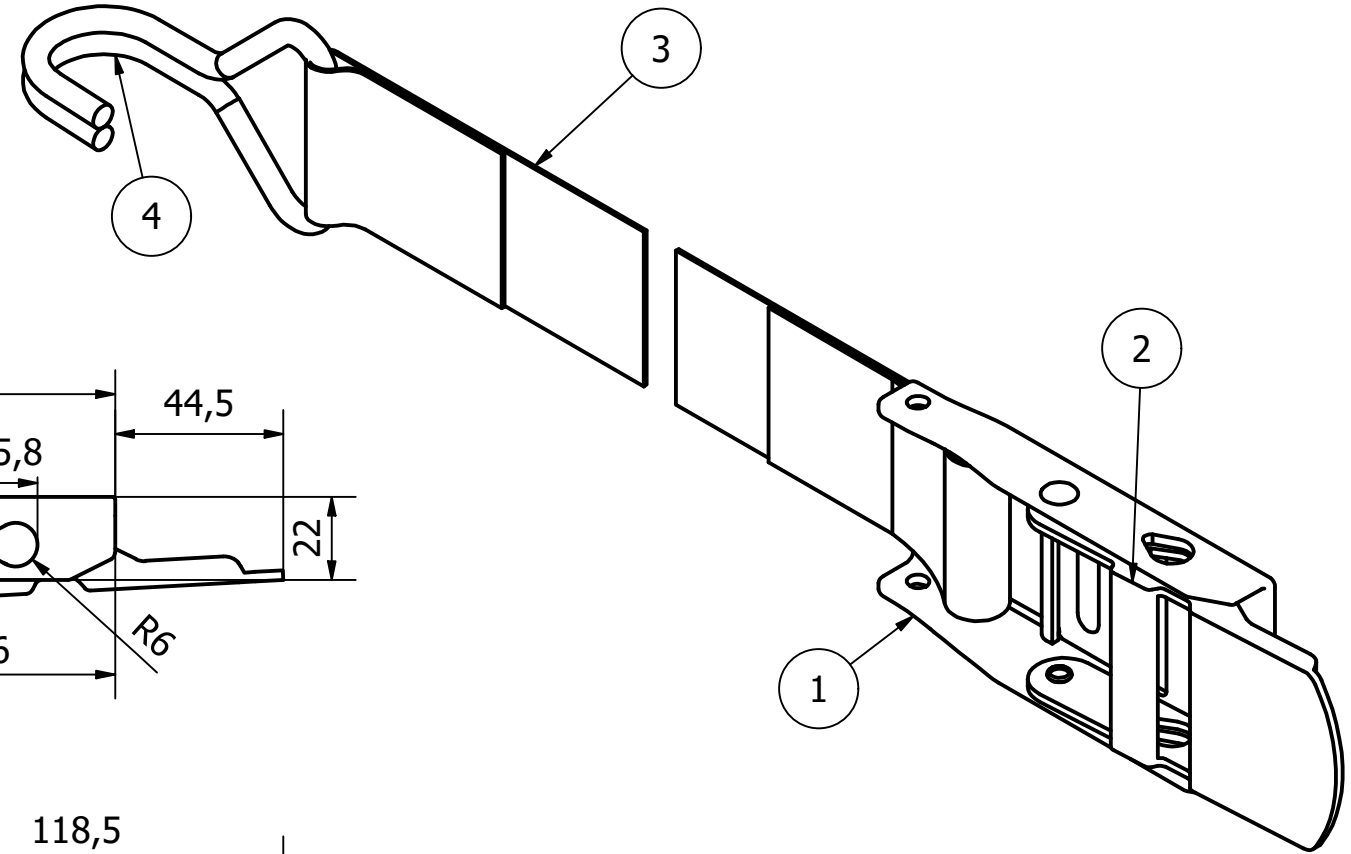
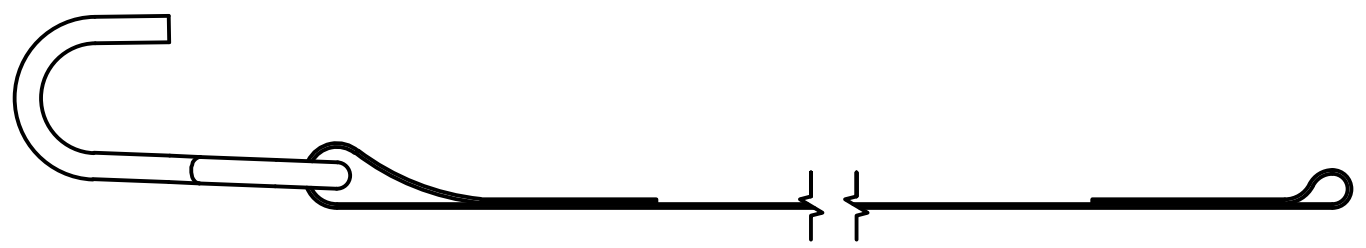


PARTS LIST

ITEM	QTY	PART NUMBER	DESCRIPTION
1	1	3000-5331-1	M/STEEL-BUCKLE- Z/C PASSIVATE
2	1	3000-5331-2	M/STEEL- BUCKLE HANDLE- Z/C PASSIVATE
3	1	3000-5331-4	POLYESTER - WEBBED STRAP- RED
4	1	3000-5331-3	M/STEEL - 700KG CLAW HOOK-Z/C PASSIVATE

SECONDARY WEBBING STRAP C/W CLAW HOOK



STITCH PATTERN

NOTE:
 FIXED END LGF: 0.9m
 ADJUST END LGL: 3.0m
 OVERALL LENGTH: LG: 3.9m
 LASHING CAPACITY LC 3500N
 BREAK FORCE MIN (BF MIN) : 700N
 WEB TYPE: POLYESTER
 MANUFACTURED IN ACCORDANCE WITH: BS EN 12195-2:2001
 NOT TO BE USED FOR LIFTING

GENERAL TOLERANCES ON LENGTHS

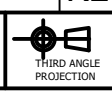
0.5 - 6 ± 0.1mm
6 - 30 ± 0.2mm
30 - 120 ± 0.3mm
120 - 400 ± 0.5mm
400 - 1000 ± 0.8mm
1000 - 2000 ± 1.2mm
2000 - 4000 ± 2.0mm

ALBERT JAGGER LTD
 GREEN LANE
 WALSALL WEST MIDLANDS WS2 8HG
 PHONE: 01922 471000
 FAX: 01922 648021

THIS DRAWING & THE DESIGN SHOWN ARE THE PROPERTY OF ALBERT JAGGER LTD AND MUST NOT BE USED OR COPIED BY A THIRD PARTY WITHOUT PERMISSION

DRAWN BY S.R

CHECKED BY C.H



SCALE 1:2

MATERIAL SEE TABLE

MASS 0.525 kg

FINISH SEE TABLE

Date 03/02/2022

ALL DIMS IN MM UNLESS STATED DO NOT SCALE

A3



1 VALIDATION COMPLETE		17/02/2022	C.H
REV	DESCRIPTION	DATE	APPROVED
3000-5331		Edition 1	Sheet 1 / 1

LIGHT DUTY INTERNAL BOX VEHICLE STRAP