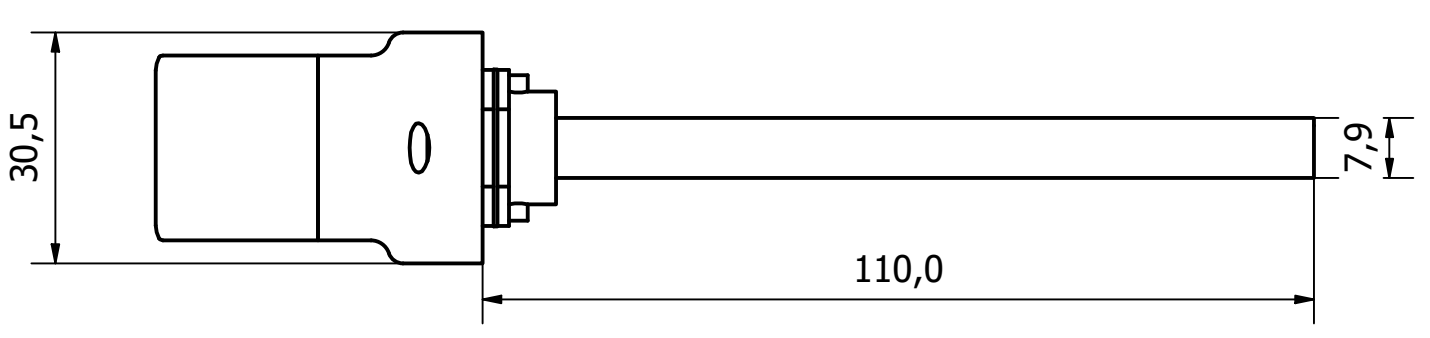
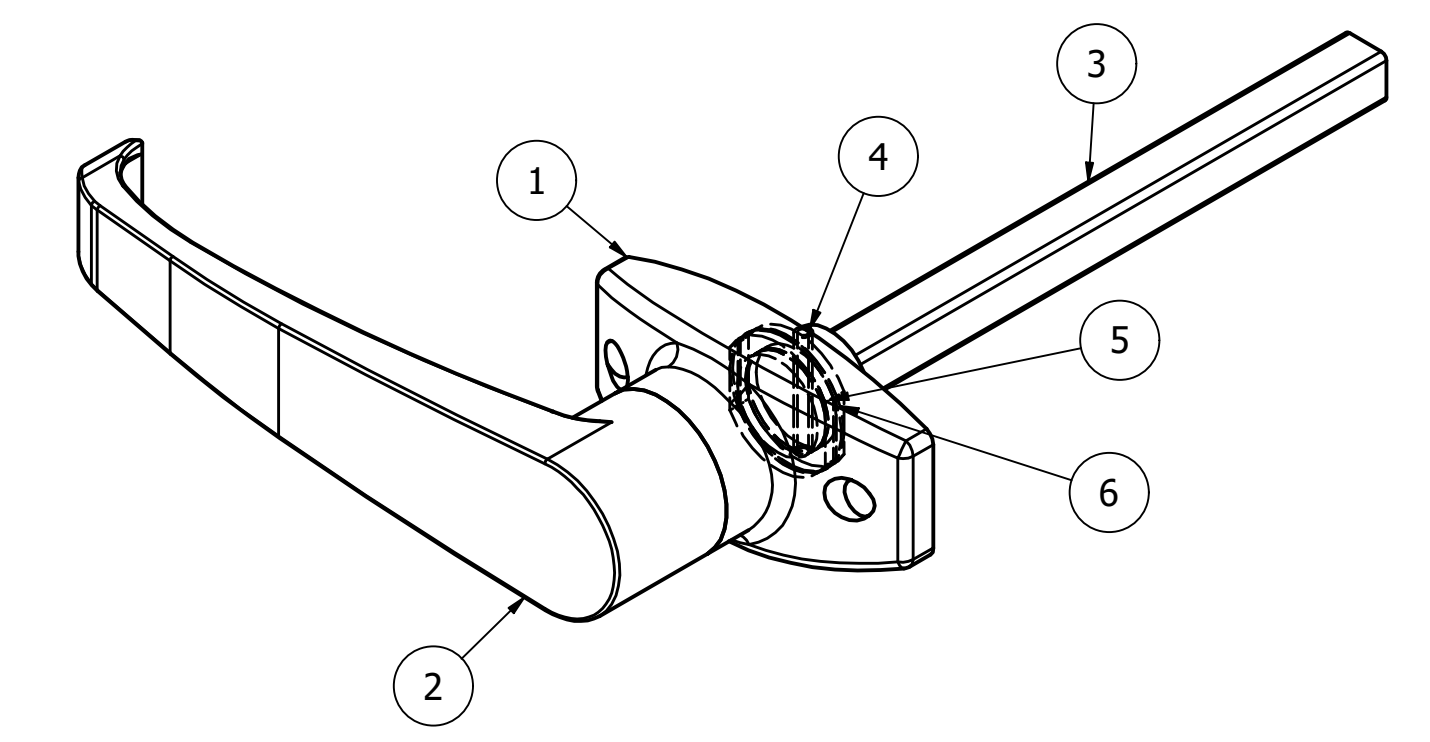


| PARTS LIST | | | |
|------------|-----|-------------|--------------------------------------------------------|
| ITEM | QTY | PART NUMBER | DESCRIPTION |
| 1 | 1 | 4222-404-1 | ZINC DIECAST HANDLE MOUNTING BODY - CHROME PLATED |
| 2 | 1 | 4222-404-2 | ZINC DIECAST LEVER - CHROME PLATED |
| 3 | 1 | 4222-404-3 | M/STEEL SQUARE LEVER CONNECTING BARREL - CHROME PLATED |
| 4 | 1 | 4222-404-4 | S/STEEL RETAINING PIN - NATURAL |
| 5 | 2 | 4222-404-7 | M/STEEL 20.6mm DIA WASHER 17.9MM A/F - Z/C PASSIVATE |
| 6 | 1 | 4222-404-6 | M/STEEL 20.8mm DIA WAVEY WASHER - CHEMICALLY BLACKENED |



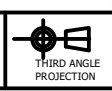
NOTE:
 360° ROTATION, NO STOPS AND NOT SPRING LOADED. MATCHING 'T' HANDLE - 5224
 NON LOCKING
 PRODUCT COMES WITH TWO WAVEY OR DIA 17.9mm WASHERS DEPENDING ON LOCKS FITTINGS

| GENERAL TOLERANCES ON LENGTHS |
|-------------------------------|
| 0.5 - 6 ± 0.1mm |
| 6 - 30 ± 0.2mm |
| 30 - 120 ± 0.3mm |
| 120 - 400 ± 0.5mm |
| 400 - 1000 ± 0.8mm |
| 1000 - 2000 ± 1.2mm |
| 2000 - 4000 ± 2.0mm |

ALBERT JAGGER LTD
 GREEN LANE
 WALSALL PHONE: 01922 471000
 WEST MIDLANDS FAX: 01922 648021
 WS2 8HG
 THIS DRAWING & THE DESIGN SHOWN ARE THE PROPERTY OF ALBERT JAGGER LTD AND MUST NOT BE USED OR COPIED BY A THIRD PARTY WITHOUT PERMISSION

DRAWN BY
 S.R

CHECKED BY
 C.H



SCALE
 1 : 1

MATERIAL
 SEE TABLE

MASS
 0.242 kg

FINISH
 SEE TABLE

Date
 03/11/2017

ALL DIMS IN MM UNLESS STATED DO NOT SCALE

A3



| | | | |
|-----------------------------------|---|---------|-------|
| CHROME LEVER HANDLE - 4222 SERIES | | Edition | Sheet |
| 4222-404 | 1 | 1 / 1 | |

| | | | |
|-----|---------------------|----------|----------|
| 1 | VALIDATION COMPLETE | 28/09/21 | C.H |
| REV | DESCRIPTION | DATE | APPROVED |