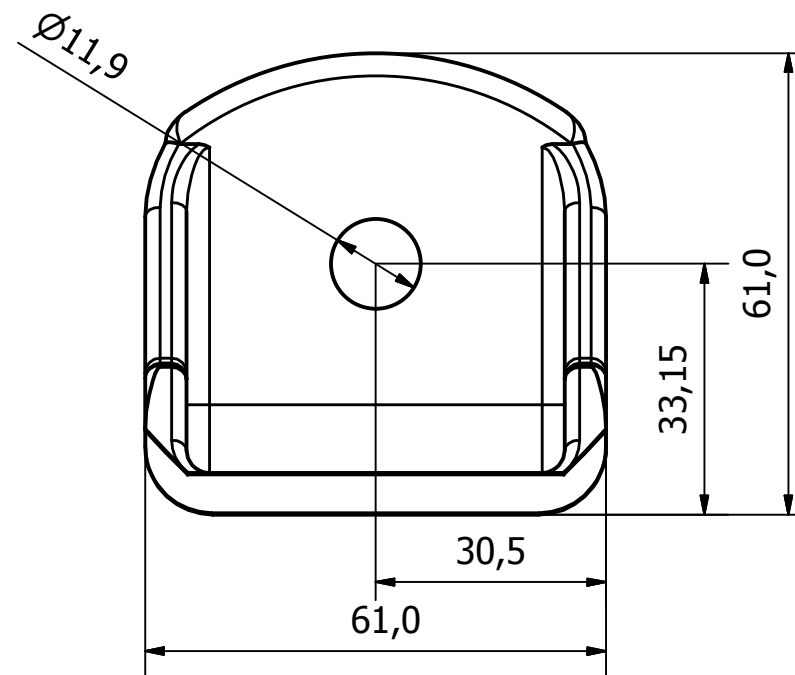
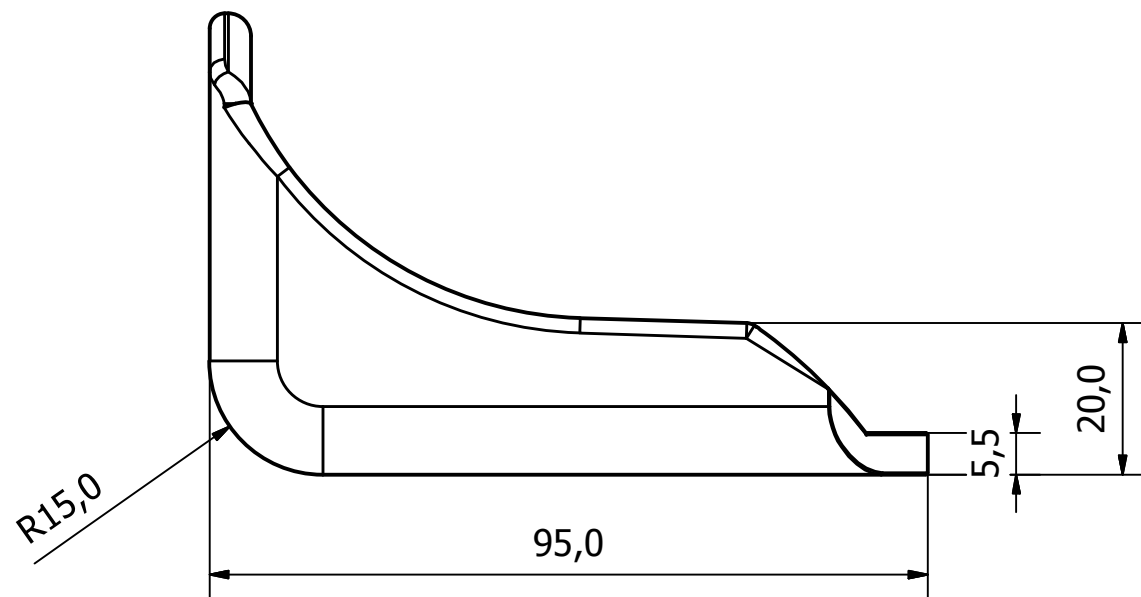
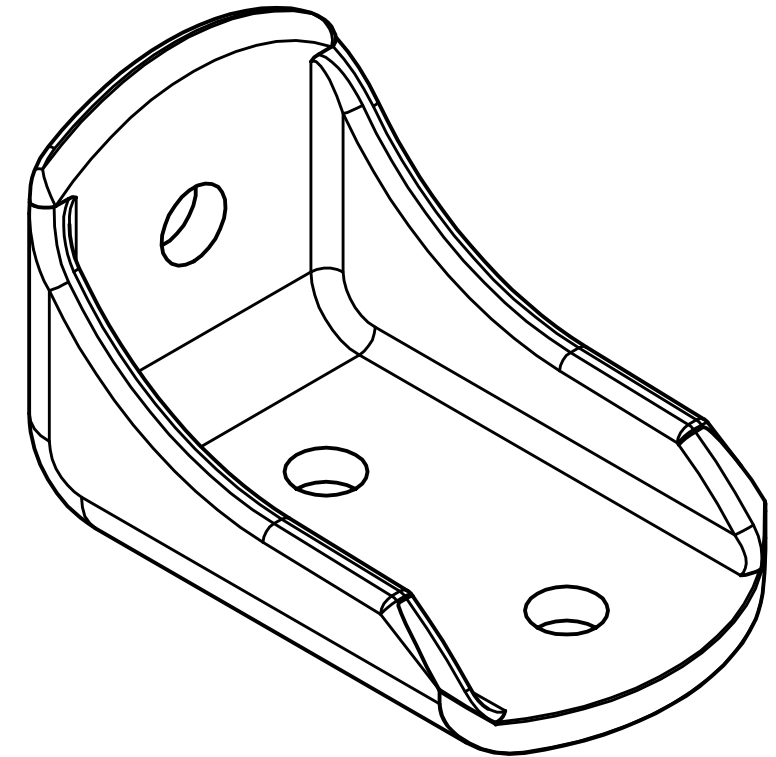
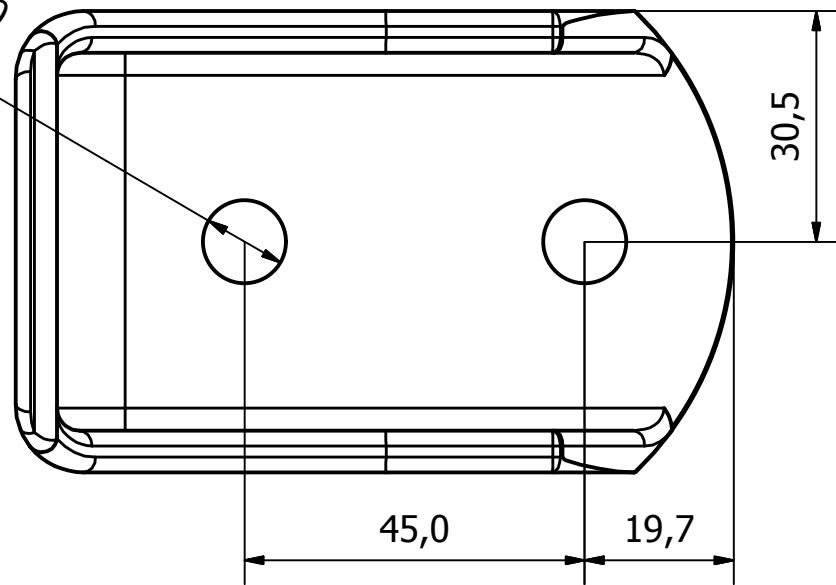


2 x Ø11,0 HOLES



1	VALIDATION COMPLETE	04/12/17	A.P
REV	DESCRIPTION	DATE	APPROVED

GENERAL TOLERANCES ON LENGTHS
0.5 - 6 ± 0.1mm
6 - 30 ± 0.2mm
30 - 120 ± 0.3mm
120 - 400 ± 0.5mm
400 - 1000 ± 0.8mm
1000 - 2000 ± 1.2mm
2000 - 4000 ± 2.0mm

ALBERT JAGGER LTD
 GREEN LANE
 WALSALL PHONE: 01922 471000
 WEST MIDLANDS FAX: 01922 648021
 WS2 8HG

THIS DRAWING & THE DESIGN SHOWN ARE THE PROPERTY OF ALBERT JAGGER LTD AND MUST NOT BE USED OR COPIED BY A THIRD PARTY WITHOUT PERMISSION

DRAWN BY
 U.F

CHECKED BY
 A.P



SCALE
 1 : 1

MATERIAL
 Steel, Mild

MASS
 0.440 kg

FINISH
 P/C
 BLACK

Date
 22/11/2017

ALL DIMS IN MM
 UNLESS STATED
 DO NOT SCALE

A3



GENERAL PURPOSE PRESSED PEDESTAL BRACKET	
6033-022	Edition 1 / Sheet 1 / 1