

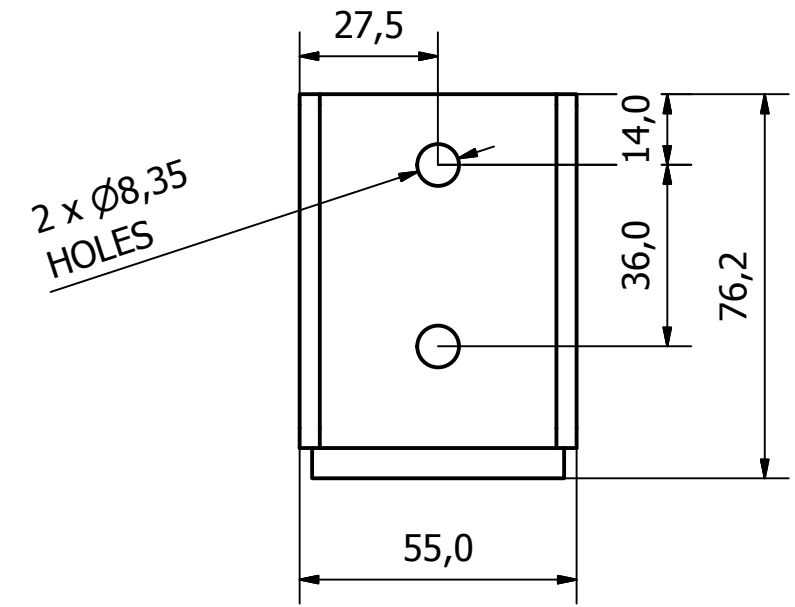
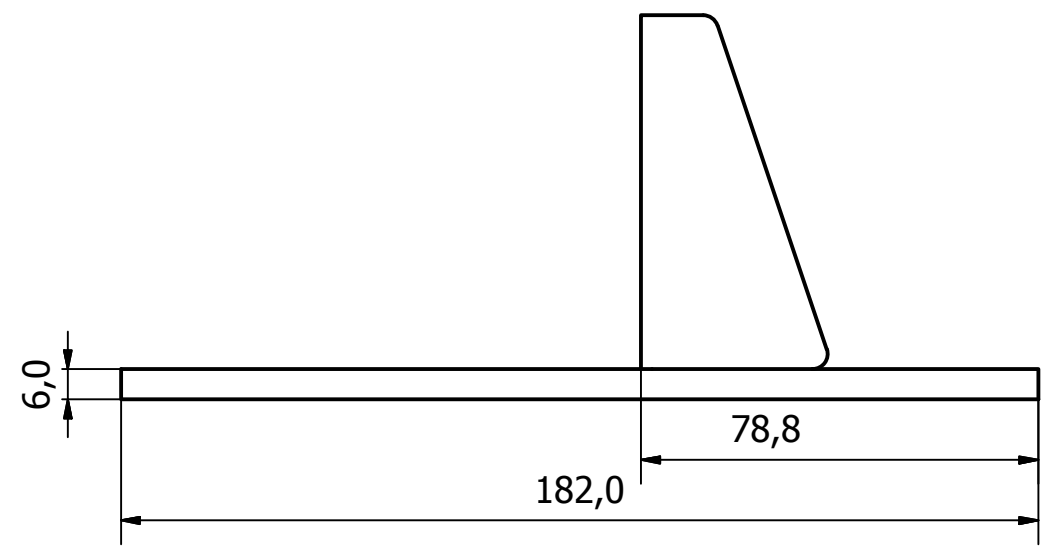
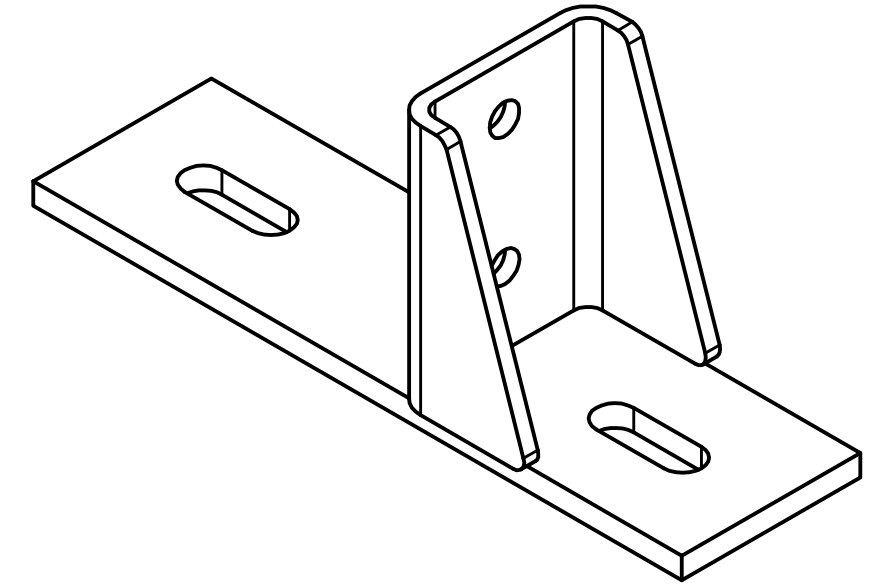
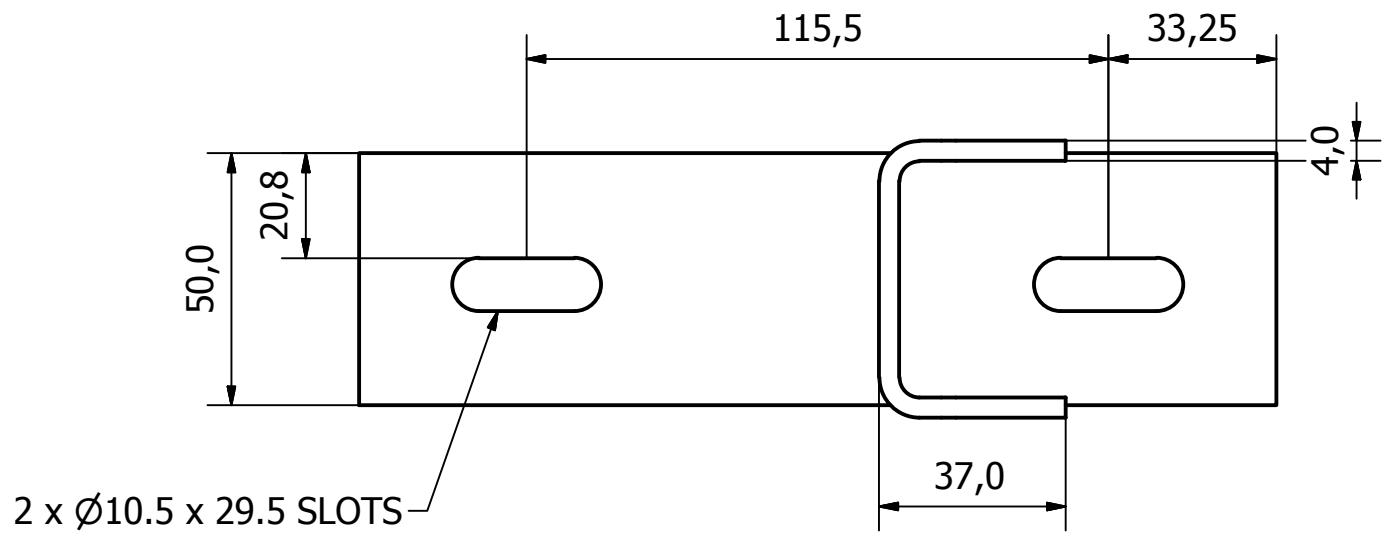
6 1 5 1 4 3 1 2 1 1

D D

C C

B B

A A



1	VALIDATION COMPLETE	04/12/17	A.P
REV	DESCRIPTION	DATE	APPROVED

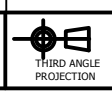
GENERAL TOLERANCES ON LENGTHS
0.5 - 6 ± 0.1mm
6 - 30 ± 0.2mm
30 - 120 ± 0.3mm
120 - 400 ± 0.5mm
400 - 1000 ± 0.8mm
1000 - 2000 ± 1.2mm
2000 - 4000 ± 2.0mm

ALBERT JAGGER LTD
 GREEN LANE
 WALSALL PHONE: 01922 471000
 WEST MIDLANDS FAX: 01922 648021
 WS2 8HG

THIS DRAWING & THE DESIGN SHOWN ARE THE PROPERTY OF ALBERT JAGGER LTD AND MUST NOT BE USED OR COPIED BY A THIRD PARTY WITHOUT PERMISSION

DRAWN BY
U.F

CHECKED BY
A.P



SCALE
1:1.5

MATERIAL
M/STEEL

MASS
0.606 kg

FINISH
P/C
BLACK

Date
01/12/2017

ALL DIMS IN MM UNLESS STATED DO NOT SCALE

A3



TRANSIT PEDESTAL BRACKET - 3" RUNNER

6033-026

Edition
1

Sheet
1 / 1

6 1 5 1 4 3 1 2 1 1