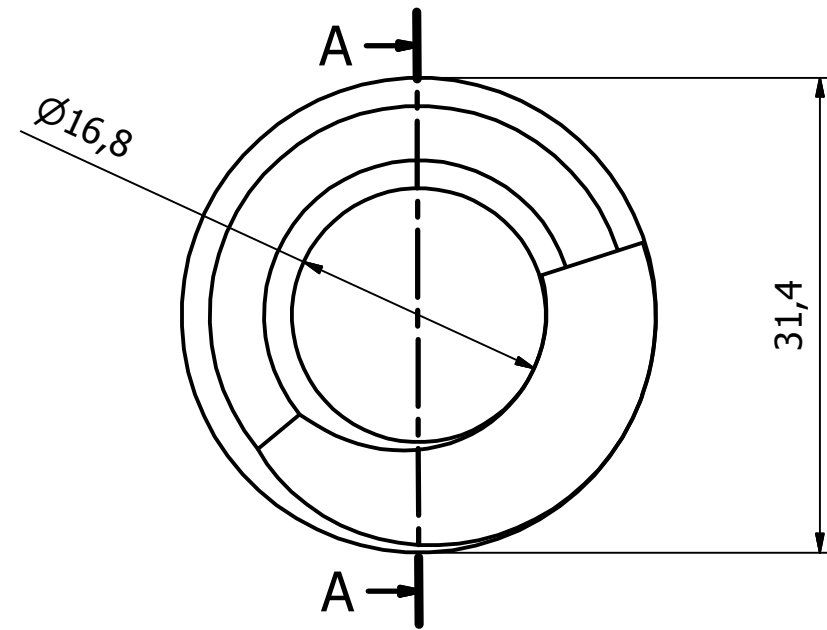
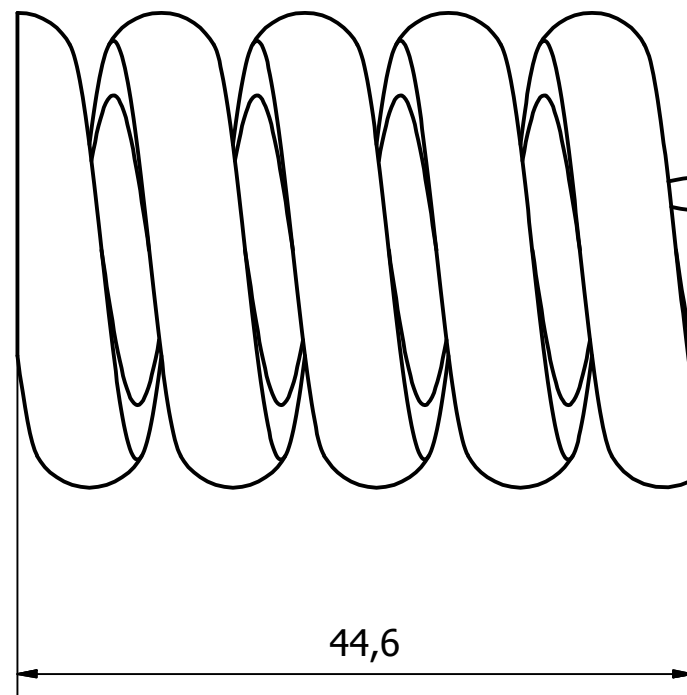
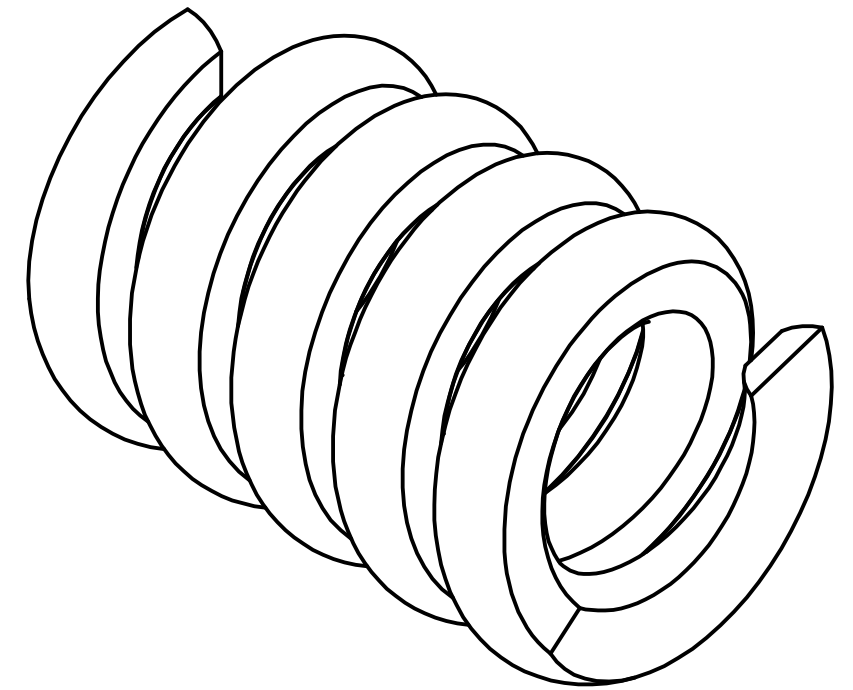
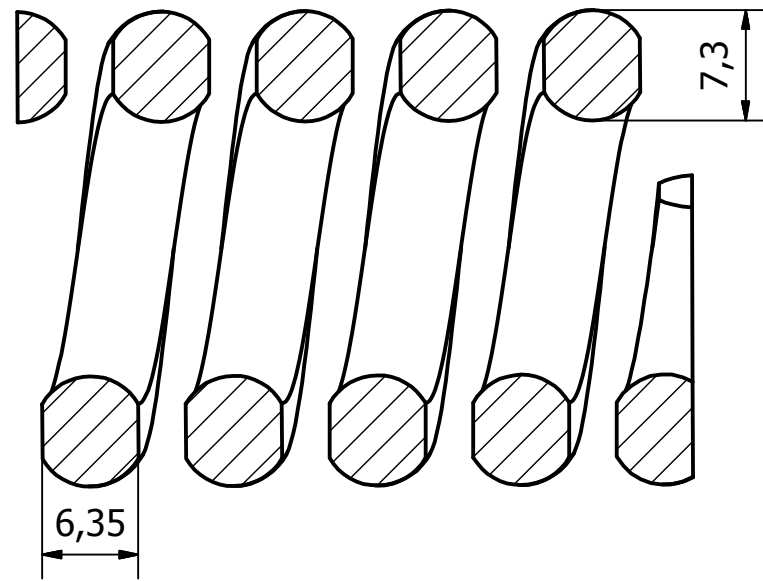


6 1 5 1 4 3 1 2 1 1

A-A (2:1)



NOTE:

SPRING TO SUIT IVECO/FORD VEHICLES

GENERAL TOLERANCES ON LENGTHS	
0.5 - 6 ± 0.1mm	
6 - 30 ± 0.2mm	
30 - 120 ± 0.3mm	
120 - 400 ± 0.5mm	
400 - 1000 ± 0.8mm	
1000 - 2000 ± 1.2mm	
2000 - 4000 ± 2.0mm	

ALBERT JAGGER LTD  
 GREEN LANE  
 WALSALL PHONE: 01922 471000  
 WEST MIDLANDS FAX: 01922 648021  
 WS2 8HG

THIS DRAWING & THE DESIGN SHOWN ARE THE PROPERTY OF ALBERT JAGGER LTD AND MUST NOT BE USED OR COPIED BY A THIRD PARTY WITHOUT PERMISSION

DRAWN BY

U.F

1	VALIDATION COMPLETE	31/08/17	A.P
REV	DESCRIPTION	DATE	APPROVED

CHECKED BY	SCALE	MATERIAL	MASS	FINISH	Date	ALL DIMS IN MM UNLESS STATED DO NOT SCALE
A.P	2:1	Steel, Mild	0.108 kg	Yellow	23/08/2017	A3



M/STEEL MOUNTING BRACKET SPRING

6033-113J

Edition 1 Sheet 1 / 1

A

A

6 1 5 1 4 3 1 2 1 1