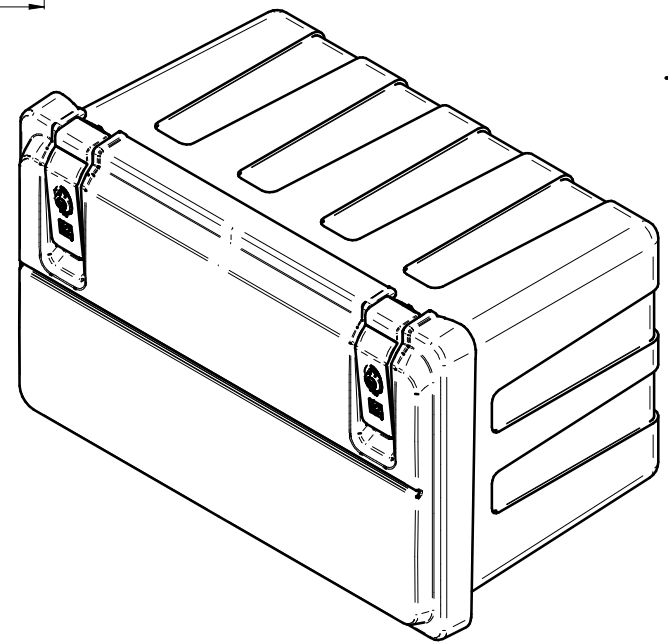
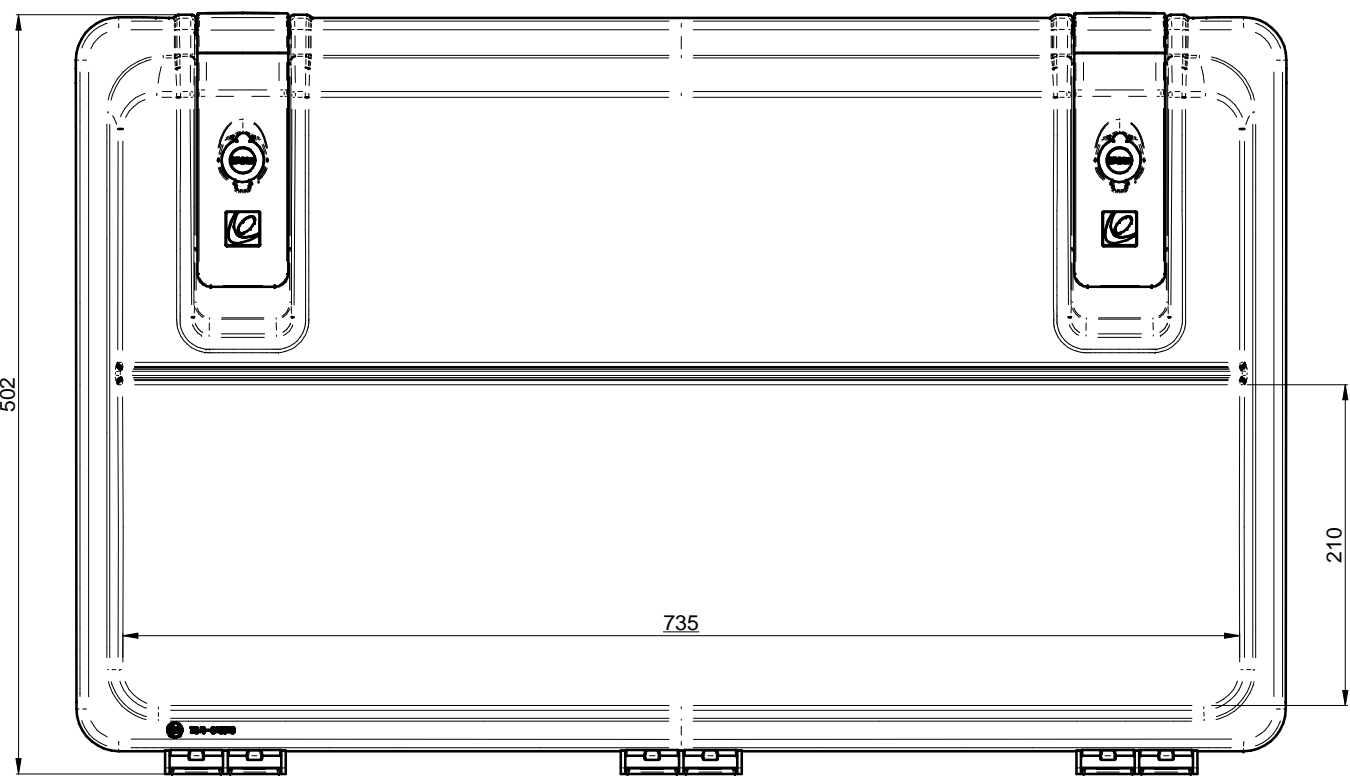
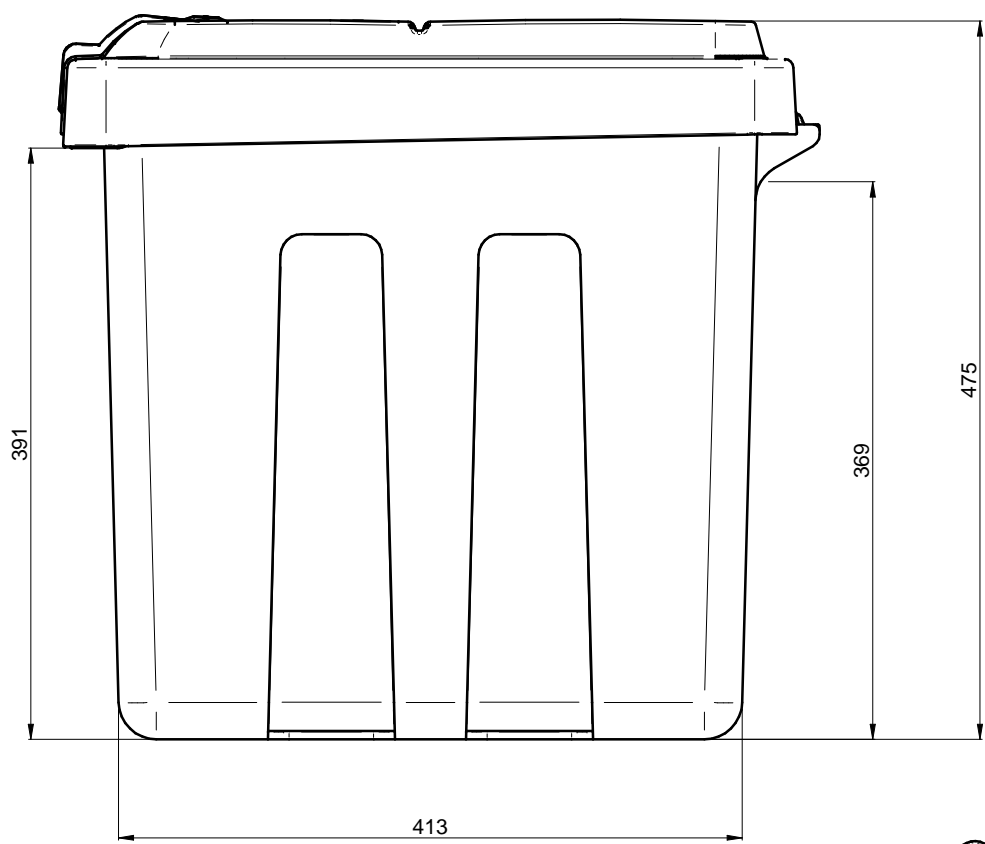
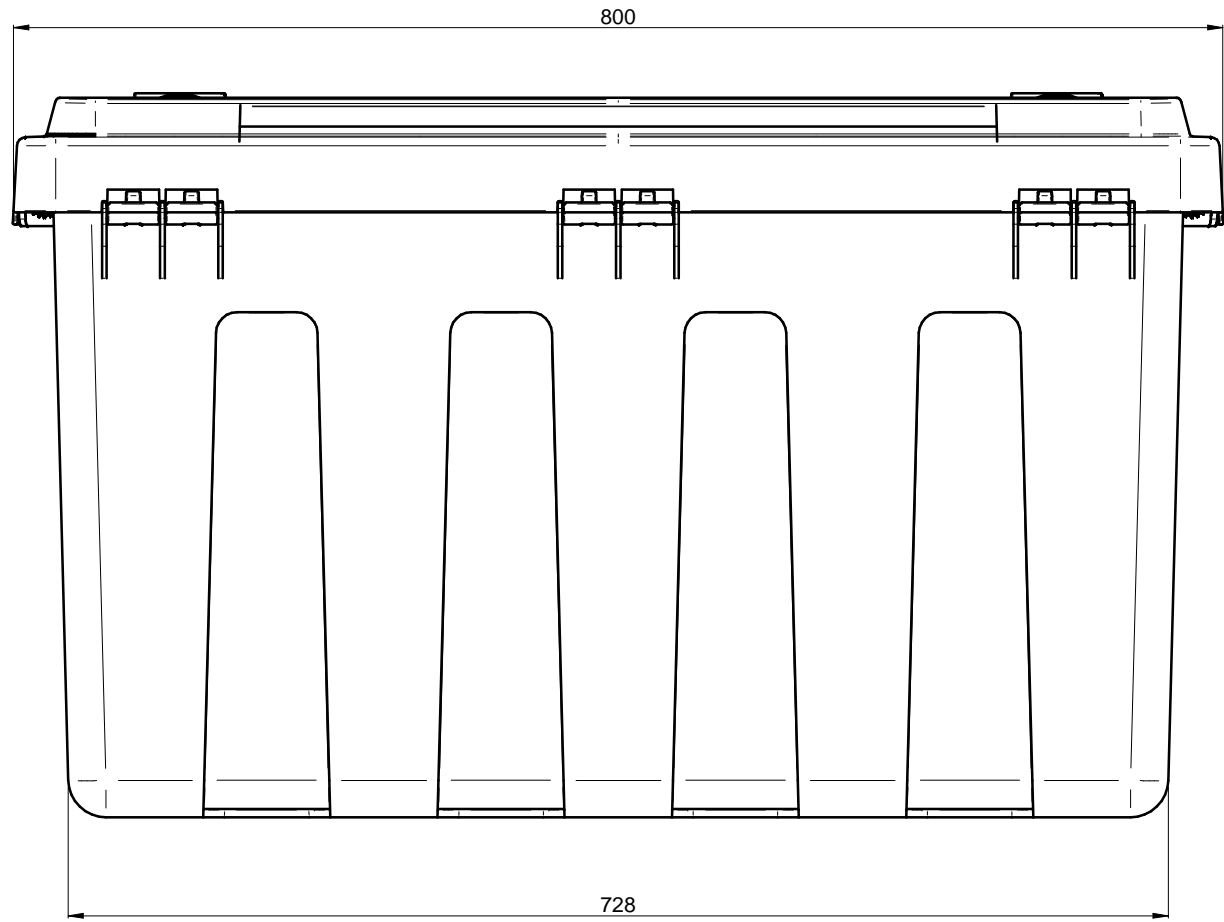


1 2 3 4 5 6 7 8 9 10

A
B
C
D
E
G
H
I

A
B
C
D
E
F
G
H



ACCURACY LINEAR DIMENSIONS				REVIEW N°2 DATE N°1 DATE	DESCRIPTION	DRAFTSMAN			
to 6 from 315 to 1000	±0.1 ±0.8	from 6 to 30 from 1000 to 2000	±0.2 ±1.2		from 30 to 120 from 2000 to 4000	±0.3 ±2.0	from 120 to 315 from 4000	±0.5 ±3.0	DESCRIPTION
ANGULAR DIMENSIONS				MATERIAL Polypropilene		TREATMENT	DRAFTSMAN Marco Simion		
from 6	±1°	to 6 from 30	±30'	from 30 to 120	±20'	from 120	±10'	CREATION DATE 02/10/2020	SET DRAWING CODE 446062030.asm
		SCALE 1 : 5		SHEET 1/1		DESCRIPTION 800 MOTHER TRUCKER DESCRIPTION OF FINISHED PRODUCT			
LAGO ACCESSORI COPYRIGHT. ANY RIPRODUCTION WITHOUT WRITTEN PERMISSION OF LAGO ACCESSORI IS FORBIDDEN									

1 2 3 4 5 6 7 8 9 10