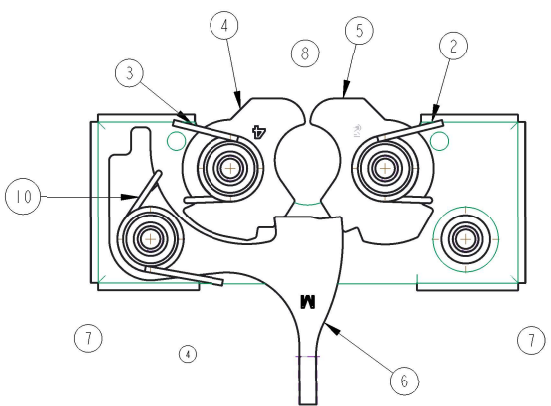
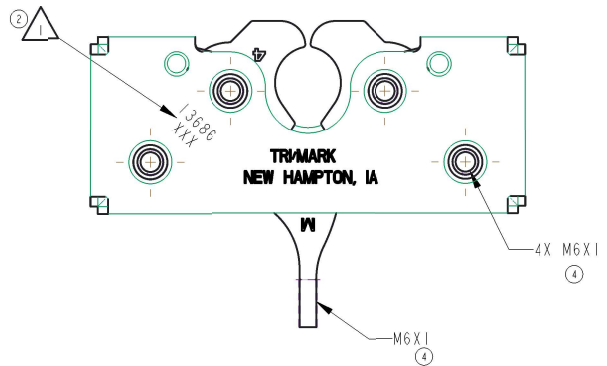
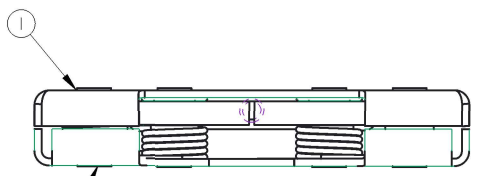


PART NUMBER DESCRIPTION	ITEM 1 PLATE (QTY)	ITEM 2 SPRING (QTY)	ITEM 3 SPRING (QTY)	ITEM 4 ROTOR (QTY)	ITEM 5 ROTOR (QTY)	ITEM 6 CATCH (QTY)	ITEM 7 AXLE (QTY)	ITEM 8 AXLE (QTY)	ITEM 9 PLATE (QTY)	ITEM 10 SPRING (QTY)
13686-01 ASSY. DBL RTR. M6X1. 0. HOLD OPEN	11497-15 (1)	80854-00 (1)	80853-00 (1)	81051-26 (1)	81052-26 (1)	12567-16 (1)	81060-16 (2)	81061-16 (2)	11221-16 (1)	19427-01 (1)

REVISION	ECN	ECN BY	DESCRIPTION
0	PN RLSE	KPE 9/24/94	RELEASED FOR PRODUCTION
1	8766	JMS 7/11/95	ADDED "M" TO 12567-16 (HOOK CATCH)
2	9564	CML 8/26/96	RELOCATED PART NO. AND DATE CODE STAMP; REVISED PART NAME AND NOTE 1; ADDED NOTE 3
3	14219	TJN 04/20/00	REVISED NOTES 1, 2, PROD CODE
4	20646	MAD 11/21/05	ADDED 19427-01; 4X M6X1 WAS 4X M6X1-6H, M6X1 WAS M6X1 THREAD, 80853-00 (QTY 1) WAS (QTY 2); UPDATE CATCH VIEW
5	21871	GDE 10/22/08	OMITTED: NOTE 3. UPDATED: FORMAT.



BACK PLATE (ITEM 9)
REMOVED FOR CLARITY

- NOTES:
- ③② IDENTIFY ASSEMBLY WITH PART NUMBER AND DATE CODE, APPROXIMATELY AS SHOWN OR IN OTHER APPROVED LOCATIONS AS OUTLINED IN ES-121.
 - ③ 2. AXLES TO WITHSTAND A MINIMUM OF 120 IN-LB OF TORQUE.
 - ⑤②③ OMITTED.

TOLERANCES UNLESS OTHERWISE SPECIFIED (UOS) ASME Y14.5M-1994 INCH MILLIMETER X .X ±.1 X ±.3 X .XX ±.03 X .X ±.8 X .XXX ±.010 X .XX ±.25		DRAWN BY KPE 8/5/94 CHECKED BY JLS 8/8/84 PROJECT 94102 PRODUCT CODE E04 (050-C103)		TriMark 500 Bailey Avenue P. O. Box 350 New Hampton, Iowa 50659 U.S.A. Tel: 641-394-3188 Fax: 641-394-2392
ANGLES X ° ±.3° X X ° ±1.0° X XX ° ±.50°		CUSTOMER PART NUMBER PART WEIGHT (0.75 LB) SURFACE AREA SIZE C SCALE 1:0 PART NUMBER 13686-XX		
REF. T/M OF 4.20-2 FOR SUP. QUALITY REQ. REF. T/M OF 4.20-3 FOR INT. QUALITY REQ.		DO NOT SCALE DRAWING		This drawing and the information contained herein is the property of TriMark Corporation and shall not be used for any purpose without our written consent.