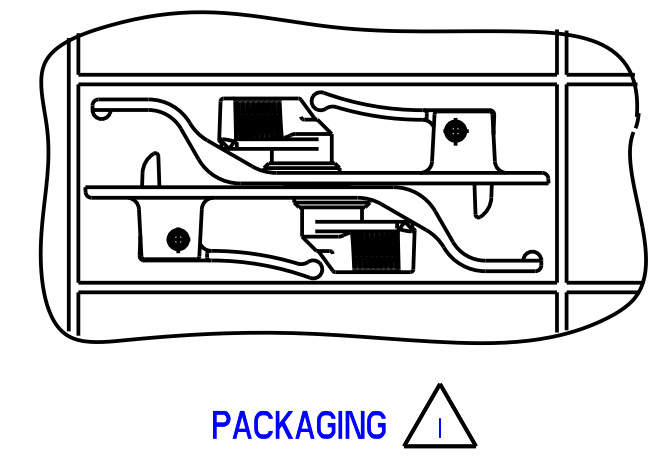
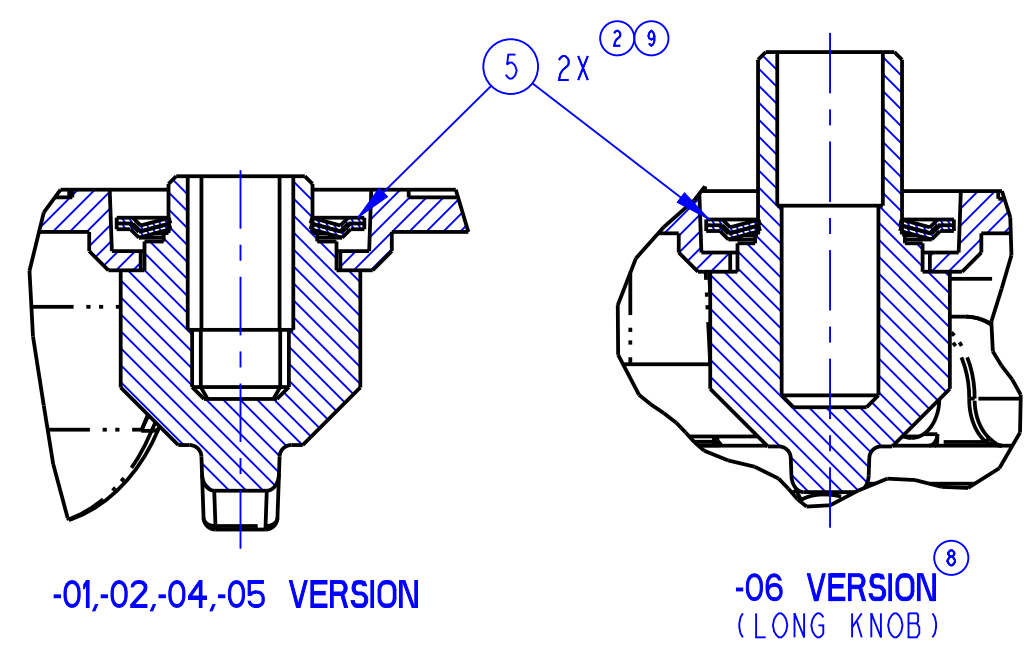
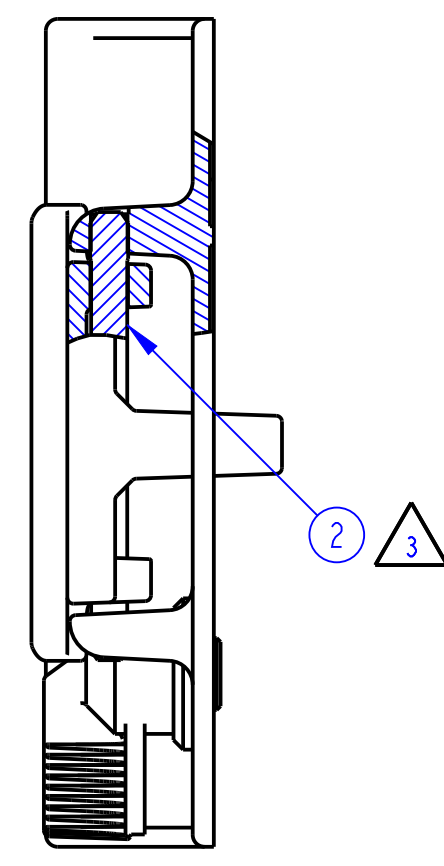
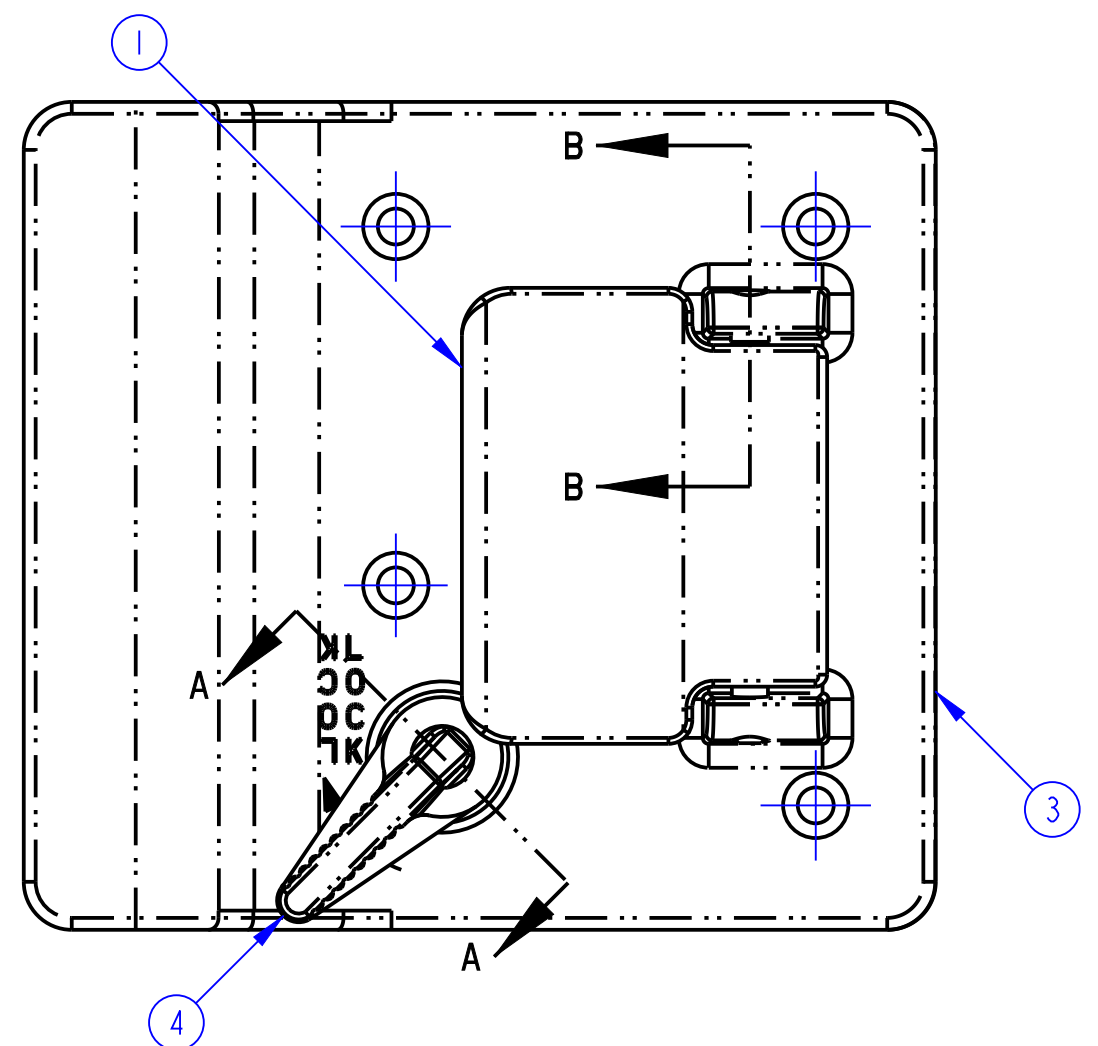
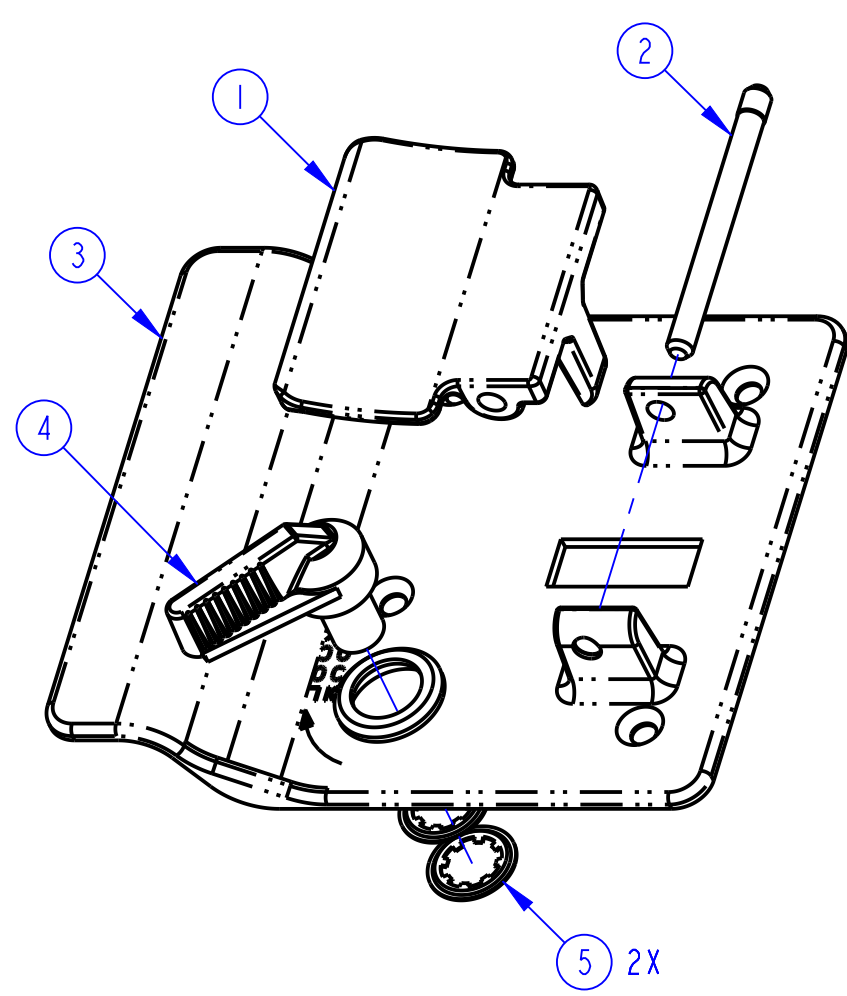


PART NUMBER DESCRIPTION	ITEM 1 PADDLE (QTY)	ITEM 2 PIN (QTY)	ITEM 3 PLATE (QTY)	ITEM 4 KNOB (QTY)	ITEM 5 RING (QTY)	FINISH
15605-01 ASSY, COVER, PLATE/ PADDLE W/KNOB	15604-01 (1)		15603-01 (1)			PAINT, BLACK, LOW GLOSS
15605-02 ASSY, COVER, PLATE/ PADDLE W/KNOB	15604-03 (1)		15603-03 (1)	81225-00 (1)		PAINT, SKY WHITE, TGIC-POLYESTER
15605-04 ASSY, COVER, PLATE/ PADDLE W/KNOB	15604-04 (1)	80912-15 (1)	15603-04 (1)		80967-15 (2)	PAINT, CASCADE SILVER
15605-05 ASSY, COVER, PLATE/ PADDLE W/KNOB	15604-05 (1)		15603-05 (1)			PLATE, COPPER-NICKEL-COPPER
15605-06 ASSY, COVER, PLATE/ PADDLE W/LONG KNOB	15604-01 (1)		15603-01 (1)	81460-00 (1)		PAINT, BLACK, LOW GLOSS

REVISION	ECN	ECN BY	DESCRIPTION
0	RLSE	JMH 11/13/97	RELEASED FOR PRODUCTION
1	10551	DJZ 7/15/98	ADDED -02 FINISH; REVISED PRODUCT CODE
2	10623	TJZ 9/2/98	ADDED NOTE 3; REORIENTED 80967-15
3	11028	JRS 6/15/99	REVISED FINISH FOR -02 VERSION
4	19624	TEB 4/10/03	ADDED -04 VERSION; MOVED BOM REVISED FINISH
5	19763	GDE 09/22/03	ADDED: -05 VERSION, PART WT
6	19835	GDE 12/17/03	DELETED BUSHING (ITEM 3) AND RENUMBERED BOM.
7	19900	GDE 03/05/04	DELETED "INSTALL PAD IN BOTTOM OF CARTON TO COVER STAPLES.". FLUSH TO .020" WAS .020"-.040" REVISED BOM FORMAT. 15604-03 WAS 15604-01.
8	20404	GDE 05/13/05	ADDED: -06 VERSION.
9	07965	RLO 9-13-07	UPDATED DRAWING FORMAT. ITEM 5; 80967-15 QTY (2) WAS 80967-15 QTY (1). SECTION A-A; ADDED 2X. ADDED EXPLODED VIEW. UPDATED PART WEIGHT.



SECTION A-A
SCALE 2.000

SECTION B-B

EXPLODED VIEW
SCALE 0.750

PACKAGING

- NOTES: UNLESS OTHERWISE SPECIFIED;
- ① ● PACKAGE ASSEMBLIES AS SHOWN.
 - ② FINISH IS FOR REFERENCE ONLY.
 - ③ ● KNURL PIN (ITEM 2) TO BE PRESSED FLUSH TO .020 RECESSED.

<p>⑨ ● INDICATES REQUIRED ASSEMBLY INFORMATION. UOS: THE -00 VERSION SHALL BE THE UNFINISHED VERSION OF PART SHOWN. UOS: ALL DIMENSIONS APPLY BEFORE COATING. (ASME Y14.5M, sec. 2.4.1)</p>		<p>TriMark 500 Bailey Avenue P. O. Box 350 New Hampton, Iowa 50659 U.S.A. Tel: 641-394-3188 Fax: 641-394-2392</p>																																	
<p>TOLERANCES UNLESS OTHERWISE SPECIFIED (UOS) ASME Y14.5M-1994</p> <table border="0"> <tr> <td>INCH</td> <td>MILLIMETER</td> </tr> <tr> <td>X.X = ±.1</td> <td>X = ±.3</td> </tr> <tr> <td>X.XX = ±.03</td> <td>X.X = ±.8</td> </tr> <tr> <td>X.XXX = ±.010</td> <td>X.XX = ±.25</td> </tr> </table> <p>ANGLES X° = ±3° X.X° = ±1.0° X.XX° = ±.50°</p>		INCH	MILLIMETER	X.X = ±.1	X = ±.3	X.XX = ±.03	X.X = ±.8	X.XXX = ±.010	X.XX = ±.25	<table border="1"> <tr> <td>DRAWN BY</td> <td>JMK</td> <td>10/2/97</td> </tr> <tr> <td>CHECKED BY</td> <td>CML</td> <td>10/3/97</td> </tr> <tr> <td>PROJECT</td> <td>96082</td> <td>PRODUCT CODE</td> </tr> <tr> <td colspan="2"></td> <td>F05 (060-0251)</td> </tr> <tr> <td colspan="3">CUSTOMER</td> </tr> <tr> <td colspan="3">CUSTOMER PART NUMBER</td> </tr> <tr> <td>PART WEIGHT</td> <td>(0.73 LB)</td> <td>SURFACE AREA</td> </tr> <tr> <td colspan="2"></td> <td>⑤ ⑨</td> </tr> </table>		DRAWN BY	JMK	10/2/97	CHECKED BY	CML	10/3/97	PROJECT	96082	PRODUCT CODE			F05 (060-0251)	CUSTOMER			CUSTOMER PART NUMBER			PART WEIGHT	(0.73 LB)	SURFACE AREA			⑤ ⑨
INCH	MILLIMETER																																		
X.X = ±.1	X = ±.3																																		
X.XX = ±.03	X.X = ±.8																																		
X.XXX = ±.010	X.XX = ±.25																																		
DRAWN BY	JMK	10/2/97																																	
CHECKED BY	CML	10/3/97																																	
PROJECT	96082	PRODUCT CODE																																	
		F05 (060-0251)																																	
CUSTOMER																																			
CUSTOMER PART NUMBER																																			
PART WEIGHT	(0.73 LB)	SURFACE AREA																																	
		⑤ ⑨																																	
<p>REF. T/M OP 4.20-2 FOR SUP. QUALITY REQ. REF. T/M OP 4.20-3 FOR INT. QUALITY REQ.</p>		<p>DESCRIPTION SEE TABLE</p> <table border="1"> <tr> <td>SIZE</td> <td>C</td> <td>SCALE</td> <td>1.0</td> <td>PART NUMBER</td> <td>15605-XX</td> </tr> </table>		SIZE	C	SCALE	1.0	PART NUMBER	15605-XX																										
SIZE	C	SCALE	1.0	PART NUMBER	15605-XX																														