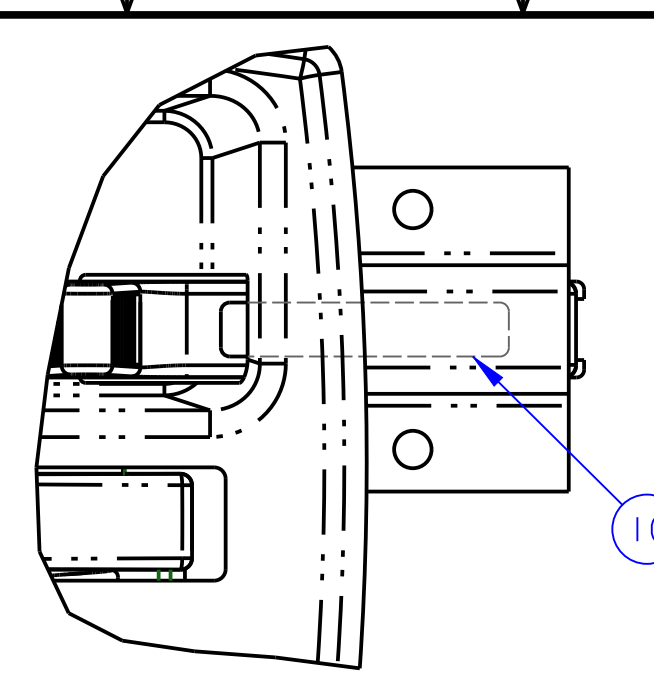
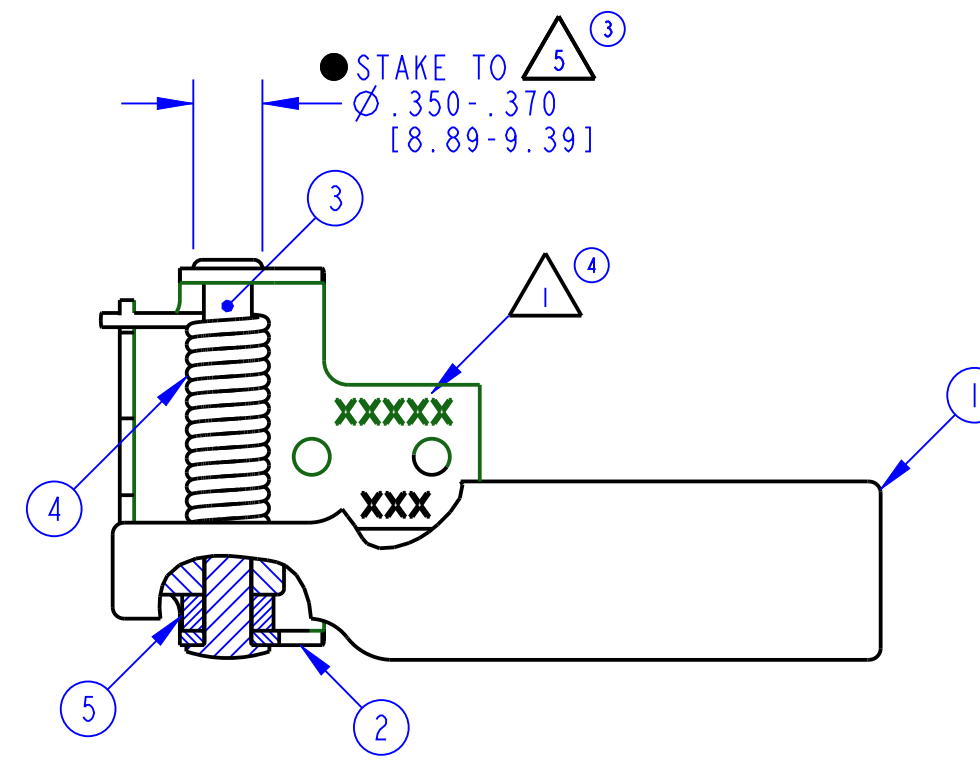
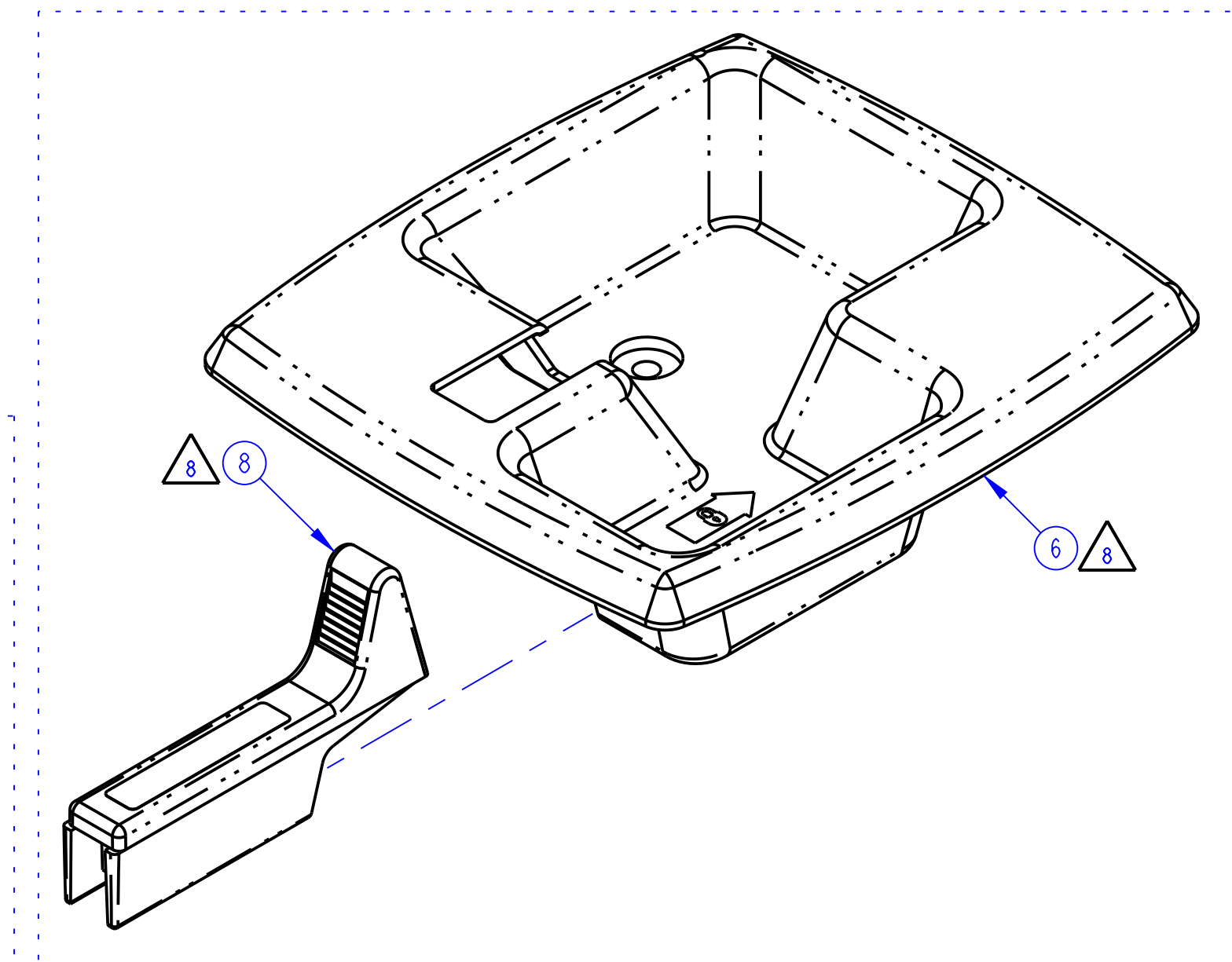
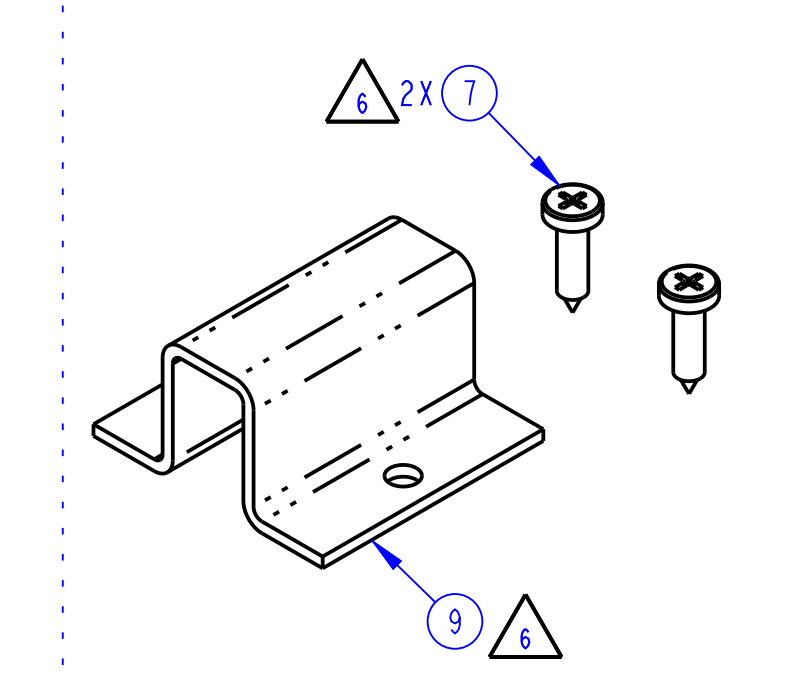


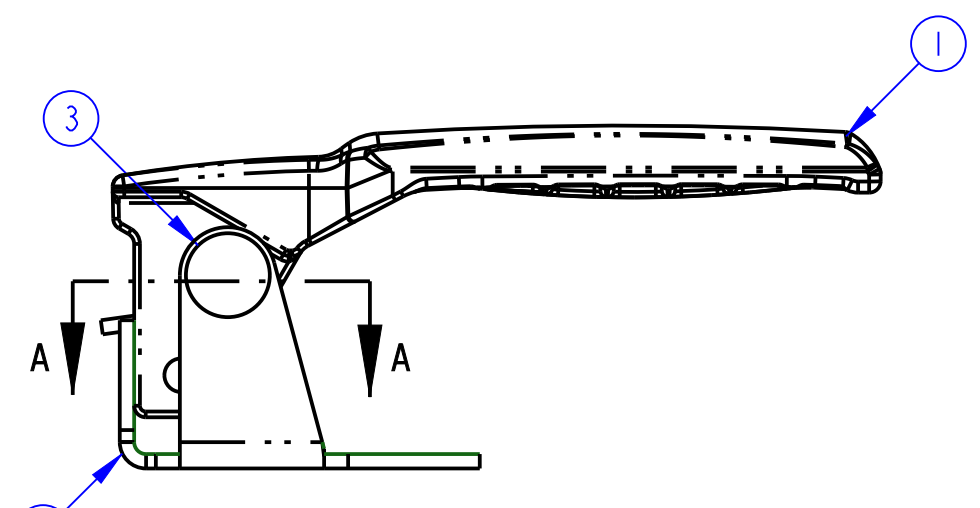
PART NUMBER DESCRIPTION	ITEM 1 HANDLE (QTY)	ITEM 2 RETAINER (QTY)	ITEM 3 RIVET (QTY)	ITEM 4 SPRING (QTY)	ITEM 5 WASHER (QTY)	ITEM 6 BEZEL (QTY)	ITEM 7 SCREW (QTY)	ITEM 8 LEVER (QTY)	ITEM 9 BRACKET (QTY)	ITEM 10 LABEL (QTY)	FINISH	PART MARKING
21430-01 030-1425, CNC, LH, INSBZL, MNLLK, LABELS	21427-03 (1)					21428-02 (1)	80986-40 (2) (8-18X.625)	80978-05 (1)	11294-16 (1)	81156 (1)	PLATE, COPPER-NICKEL-CHROME	
21430-02 030-1425, LGB, LH, INSBZL, MNLLK, LABELS	21427-01 (1)							80978-01 (1)			PAINT, BLACK, LOW GLOSS	
21430-03 030-1425, CNC, LH, LVR, RLSE	21427-03 (1)					N/A	N/A	N/A	N/A		PLATE, COPPER-NICKEL-CHROME	
21430-04 030-1425, LGB, LH, LVR, RLSE	21427-01 (1)										PAINT, BLACK, LOW GLOSS	
21430-05 030-1425, CNC, LH, INSBZL, MNLLK	21427-03 (1)	11293-16 (1)	80984-15 (1)	22541-01 (1)	80985 (1)					N/A	PLATE, COPPER-NICKEL-CHROME	21430
21430-06 030-1425, LGB, LH, INSBZL, MNLLK	21427-01 (1)					21428-01 (1)		80978-05 (1)			PAINT, BLACK, LOW GLOSS	
21430-07 030-1425, CNC, BK MR LH, INSBZL, MNLLK	21427-03 (1)						80986-40 (2) (8-18X.625)	80978-01 (1)	11294-16 (1)		PLATE, COPPER-NICKEL-CHROME	
21430-08 030-1425, CNC, BK LG LH, INSBZL, MNLLK	25971-01 (1)					21428-02 (1)		80978-05 (1)		81156 (1)	HDL-PLATE, COPPER-NICKEL-CHROME BZL-PAINT, BLACK, LOW GLOSS	



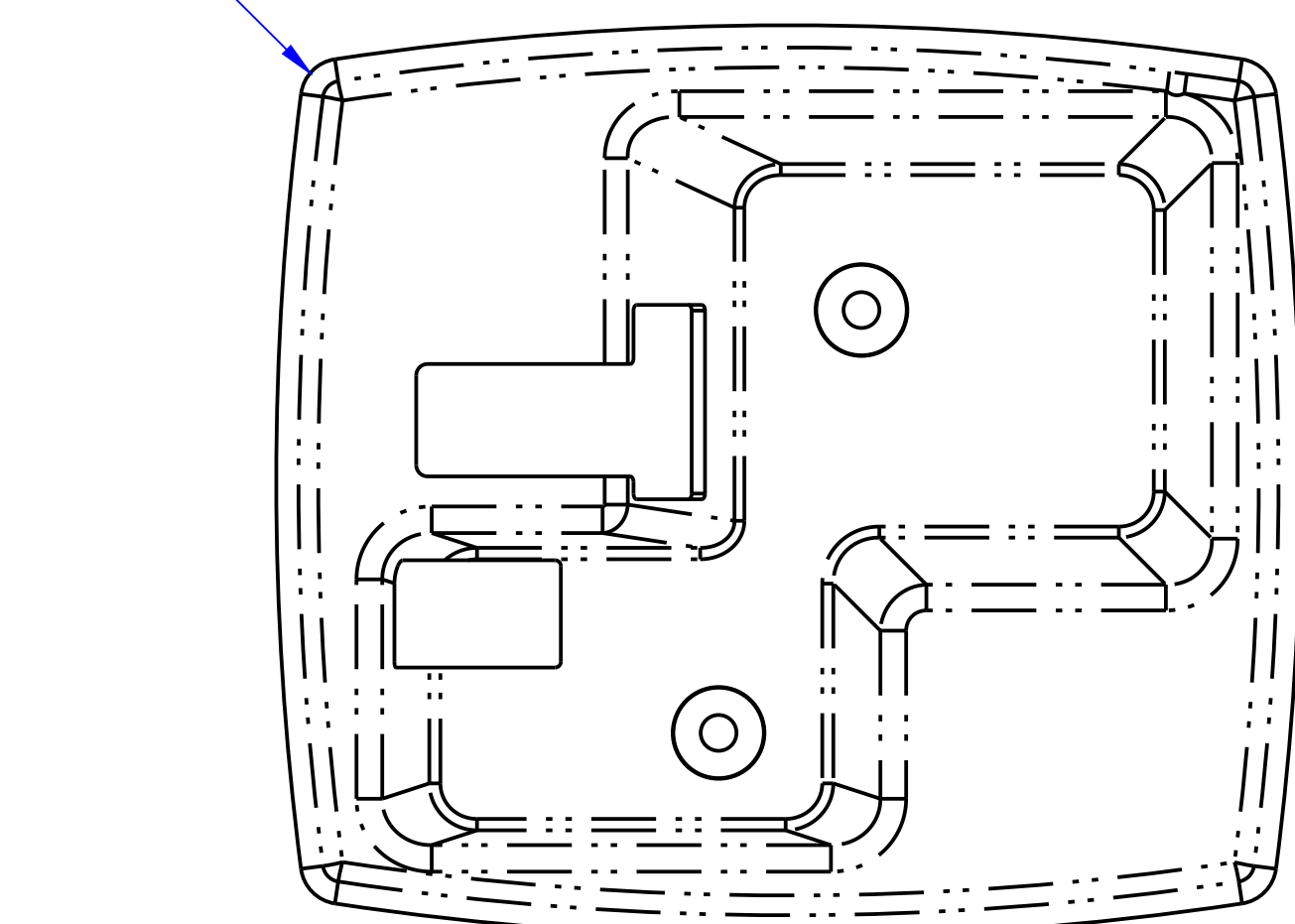
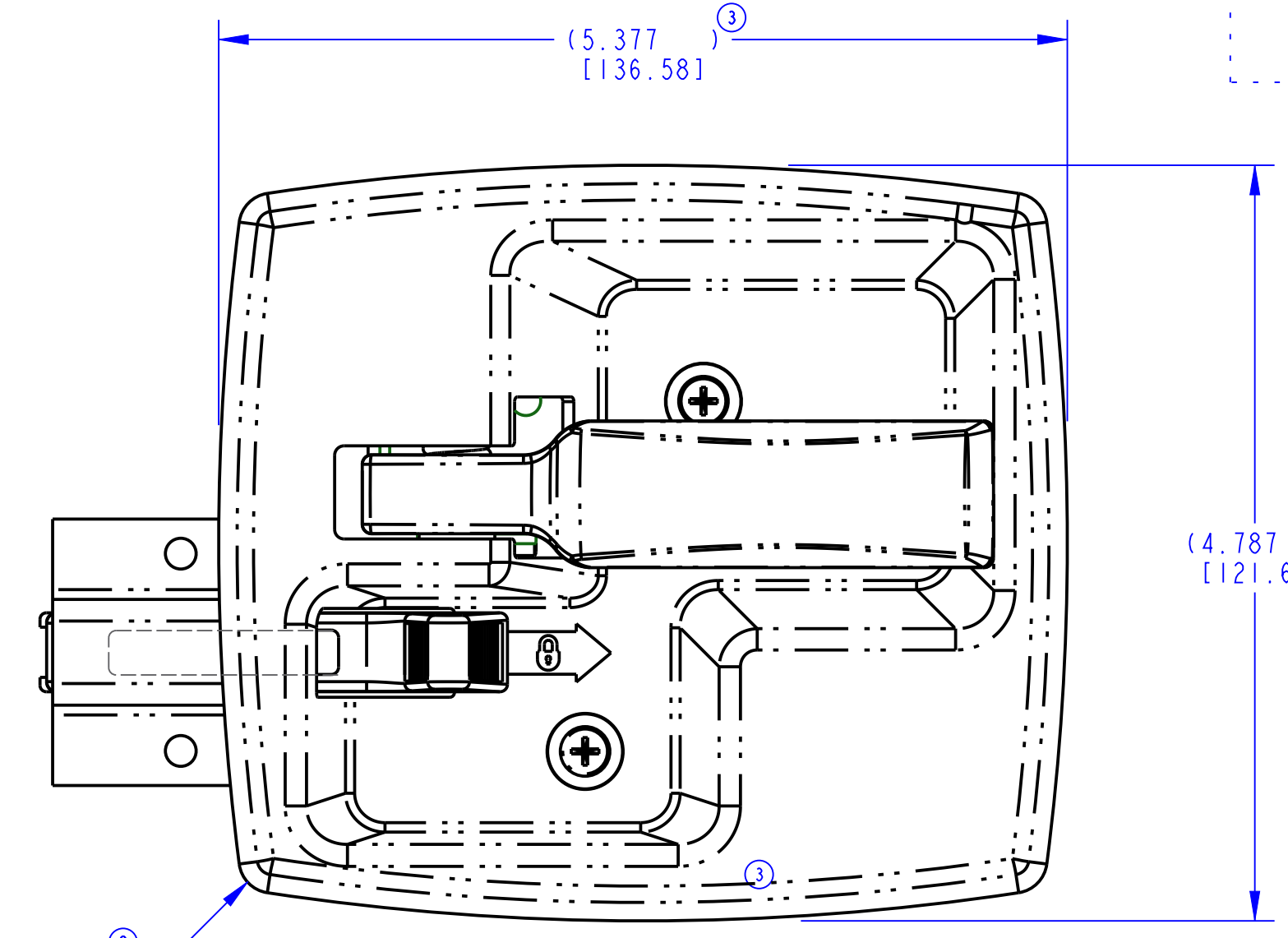
21430-01, -02, & -08



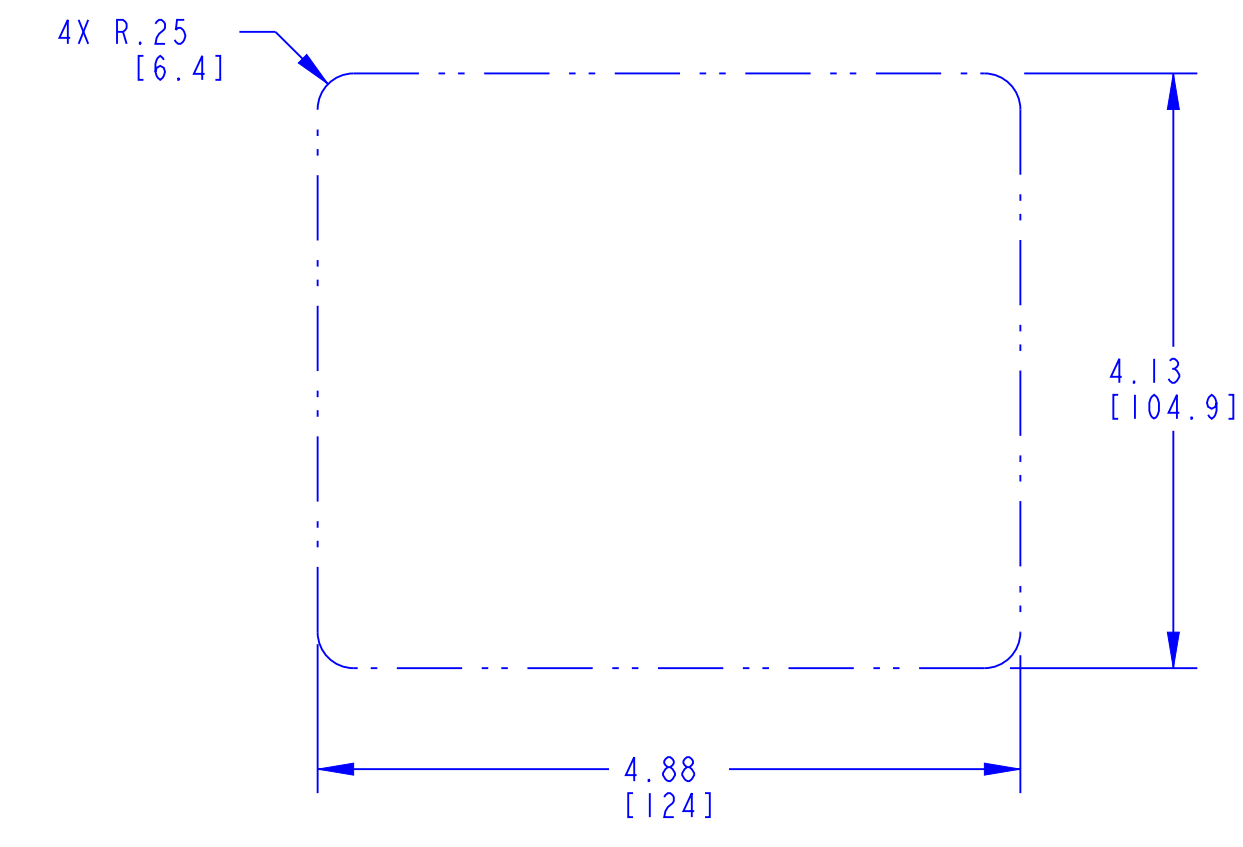
SECTION A-A  
NOTE: VIEW BROKEN TO SHOW  
PART MARK & COMPONENT ASSEMBLY



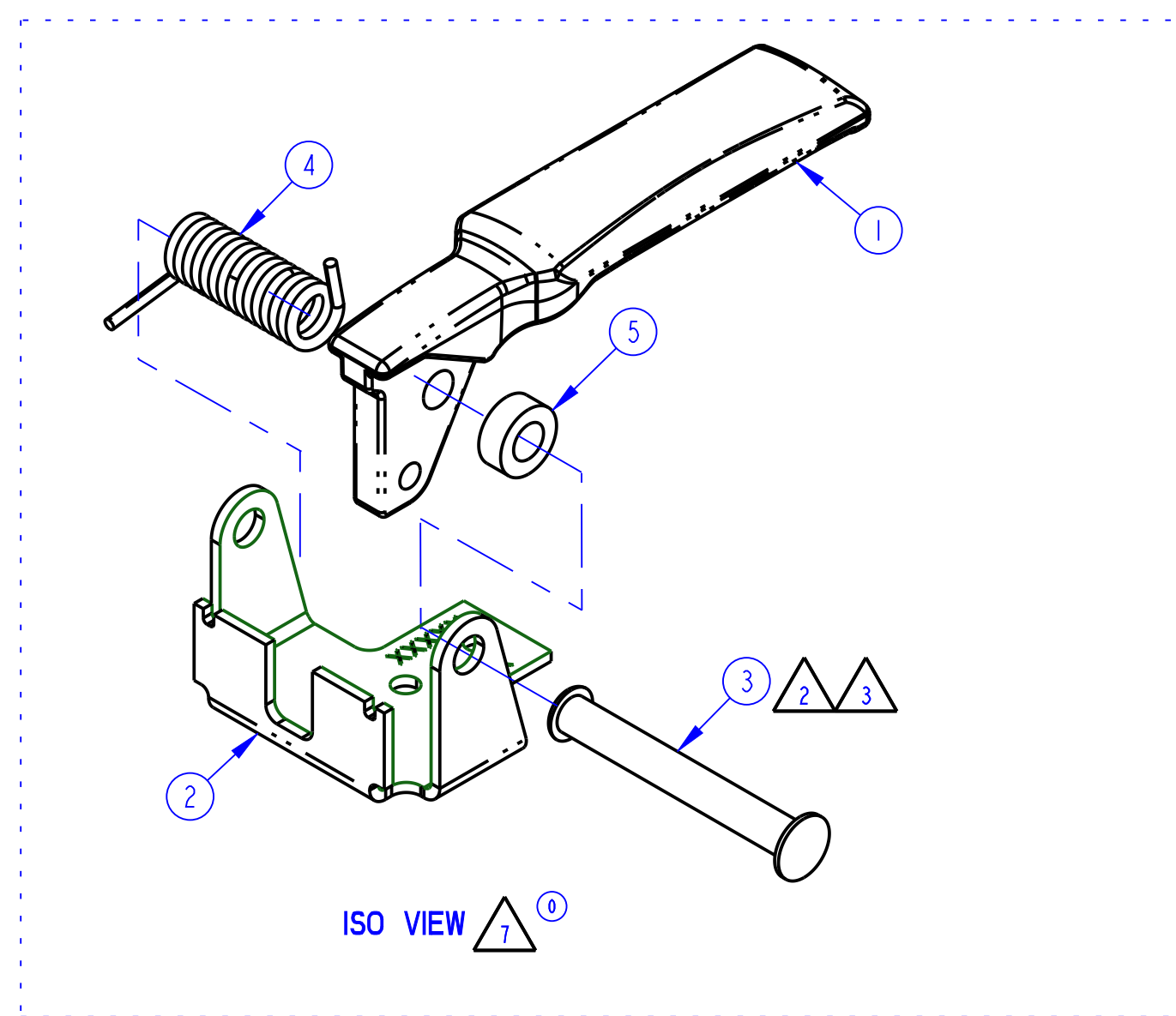
HANDLE ASSEMBLY  
BEZEL (ITEM 6), LEVER (ITEM 8),  
BRACKET (ITEM 9), AND  
LABEL (ITEM 10) NOT SHOWN



21428-02 BEZEL



RECOMMENDED CUTOUT



ISO VIEW

REVISION	ECN	ECN BY	DESCRIPTION
E	PRE-RLSE	BJP/PAPE 2/23/06	22541-01 WAS 80987-55
F	PRE-RLSE	BJP/PAPE 3/2/06	ADD RECOMMENDED CUTOUT
G	PRE-RLSE	BJP/PAPE 8/28/06	REVISED NOTE 2
0	RLSE	BJP/PAPE 9/15/06	REVISED NOTES 6, 7, AND 8; REVISED ISO VIEWS; RELEASED FOR PRODUCTION
1	0508	ASP 04/02/07	ADDED VERSION -07
2	0634	RLO 5-30-07	UPDATED VIEWS; BEZEL (ITEM 6) SURFACE AREA.
3	31624	JEM 8/17/10	ADDED -08 VERSION, ADDED & REVISED VIEWS, FORMAT WAS C SIZE, ADDED SECONDARY UNITS
4	38187	RLO 5-22-13	UPDATED PART MARK, VIEWS, ADDED PART MARKING COLUMN, BOM; REMOVED -00 TO MATCH AS400 (3 PLACES). FINISH; REMOVED "PER ES-XXX".

- NOTES: UNLESS OTHERWISE SPECIFIED:
- STAMP RETAINER (ITEM 2) WITH PART NUMBER AND DATE CODE PER ES-121. LOCATE APPROXIMATELY AS SHOWN.
  - ②● APPLY ALPHA 2000 TO Ø.250 OF RIVET (ITEM 3) BEFORE ASSEMBLY.
  - RIVET (ITEM 3) MAY BE INSTALLED FROM EITHER SIDE OF RETAINER (ITEM 2).
  - ④ FINISH IS FOR REFERENCE ONLY.
  - STAKE END OF RIVET: AVOID EXCESSIVE STAKING FORCE RESULTING IN EXCESSIVE DEFORMATION OF RETAINER (ITEM 2).
  - ②● SEAL SCREWS (ITEM 7) AND BRACKET (ITEM 9) IN CORNER OF BAG.
  - ②● SEAL HANDLE ASSEMBLY IN BOTTOM OF BAG.
  - ②● SEAL BEZEL (ITEM 6) AND LEVER (ITEM 8) TOGETHER IN TOP OF BAG.

TOLERANCES UNLESS OTHERWISE SPECIFIED (UNOS)		DRAWN BY		TRIMARK	
ASME Y14.5M-1994		BJP 8/29/05		500 Bailey Avenue P. O. Box 350 New Hampton, Iowa 50659 U.S.A. Tel: 641-394-3188 Fax: 641-394-2392	
INCH MILLIMETER		CHECKED BY		KPE 8/29/05	
X.X ±.1 X ±.3		PROJECT		03086	
X.XX ±.03 X.X ±.8		PRODUCT CODE		C32 (030-1425)	
X.XXX ±.010 X.XX ±.25		CUSTOMER			
ANGLES		CUSTOMER PART NUMBER		DESCRIPTION	
X° ±.3°				SEE BOM	
X.X° ±1.0°		PART WEIGHT		SURFACE AREA	
X.XX° ±.50°		(1.08 LB)			
DO NOT SCALE DRAWING		PART NUMBER		21430	
REF. T/M OF 4-20-2 FOR SUP. QUALITY REQ. REF. T/M OF 4-20-3 FOR INT. QUALITY REQ.		SIZE		SCALE	
		D		1.0	