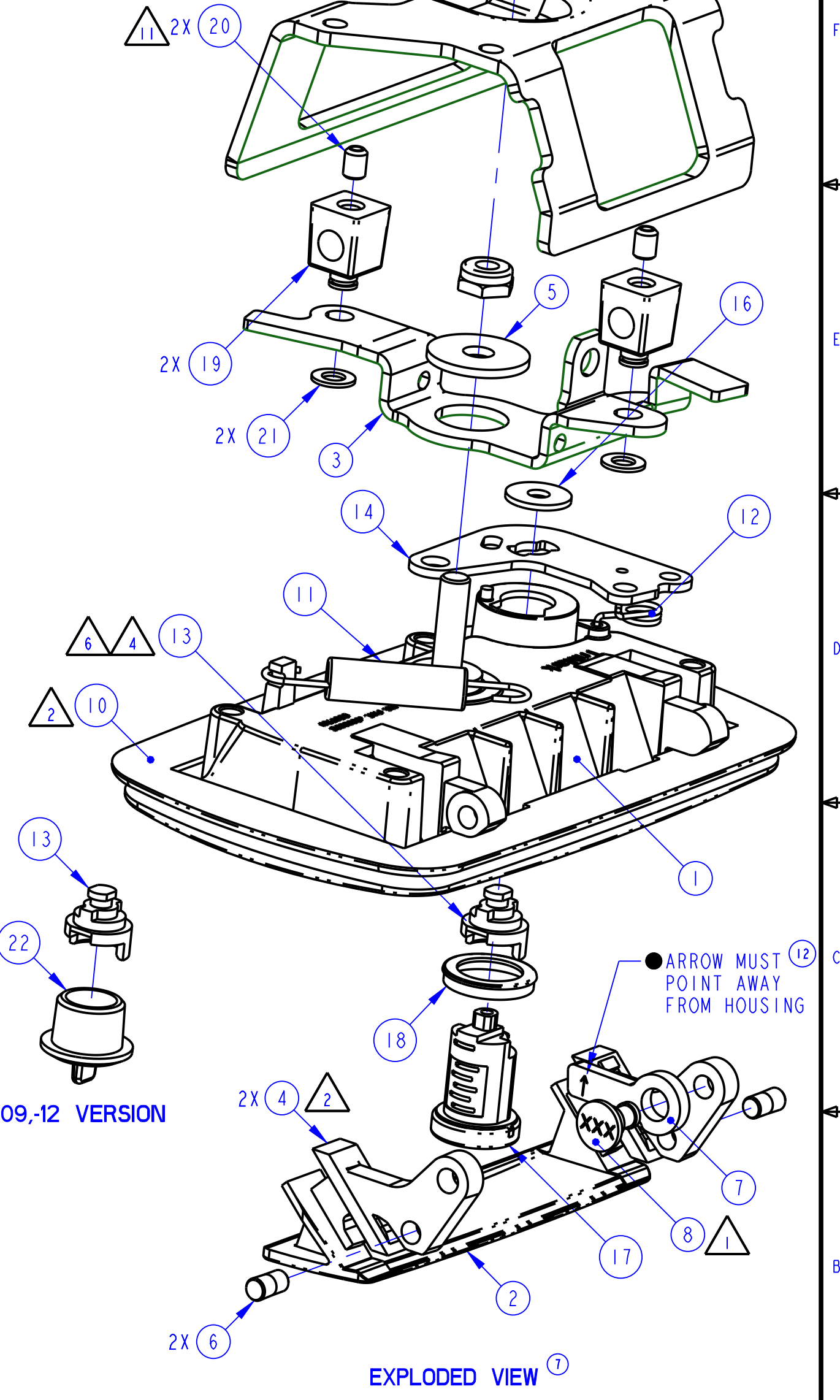
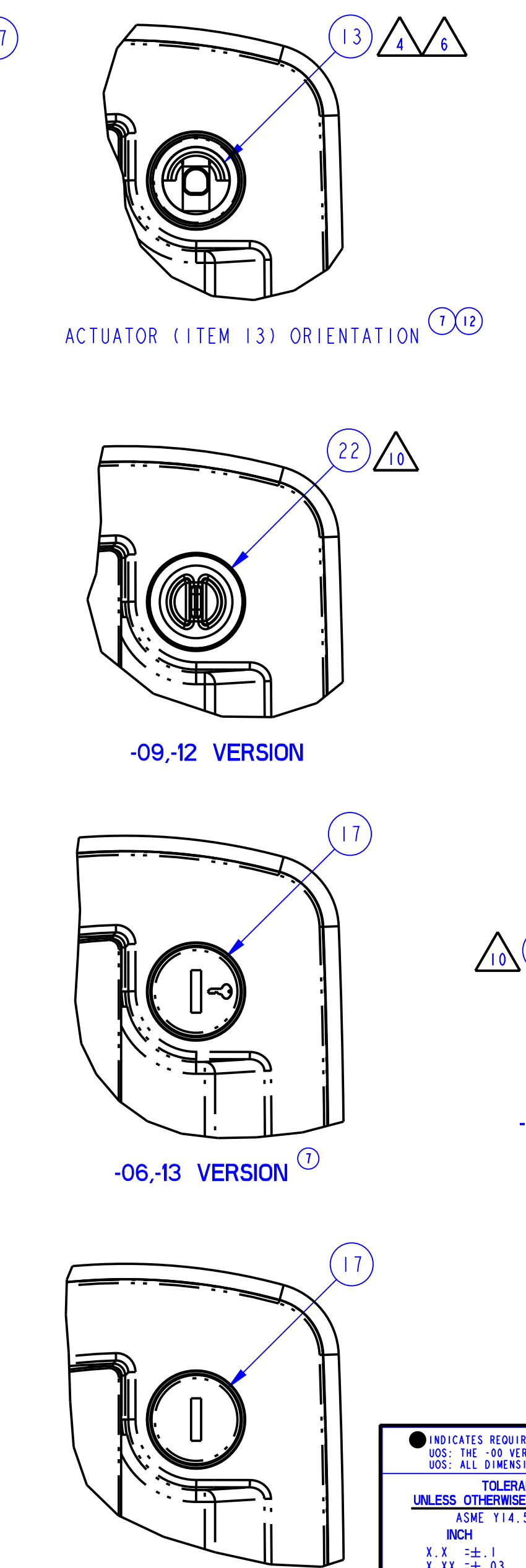
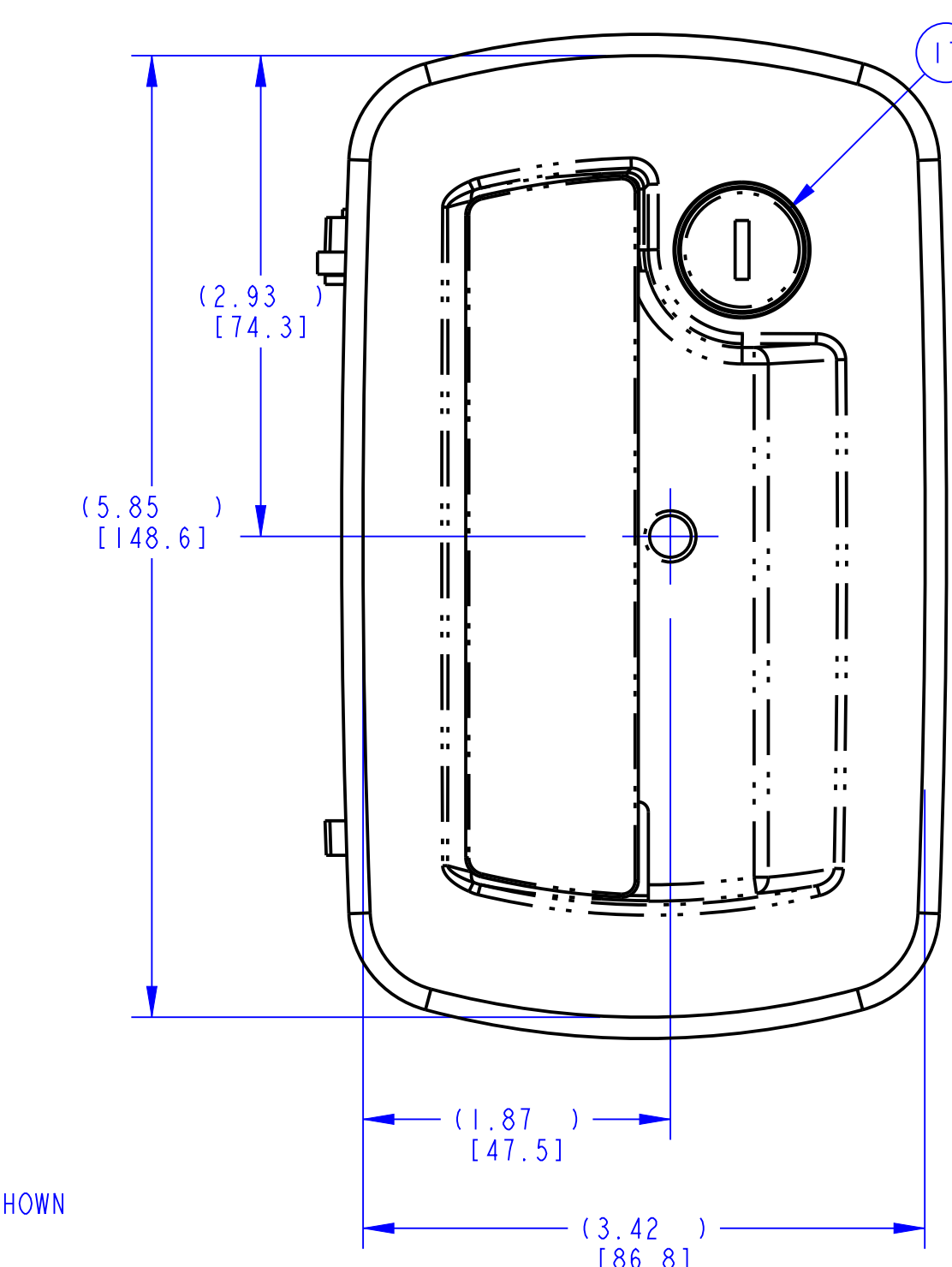
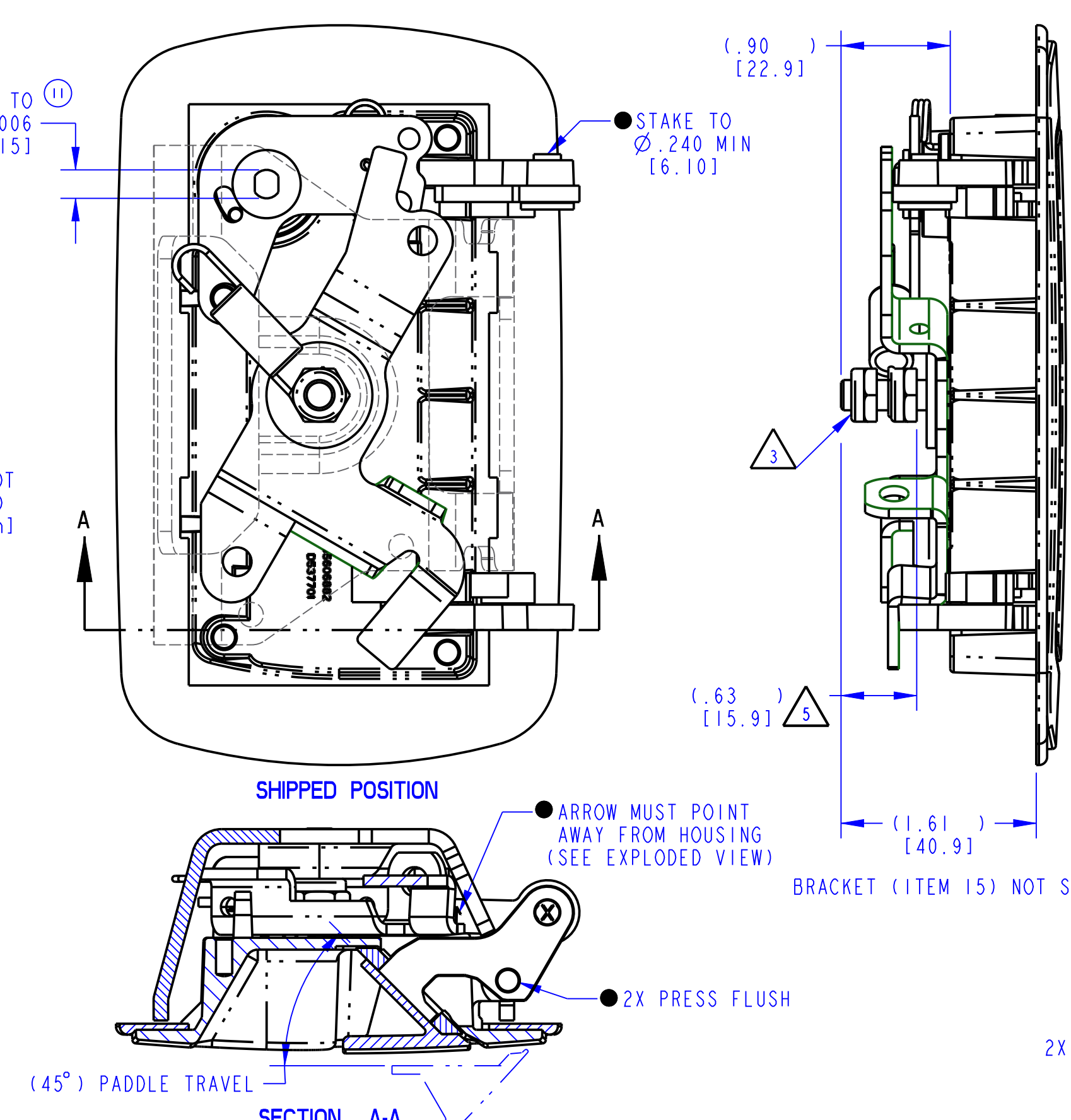
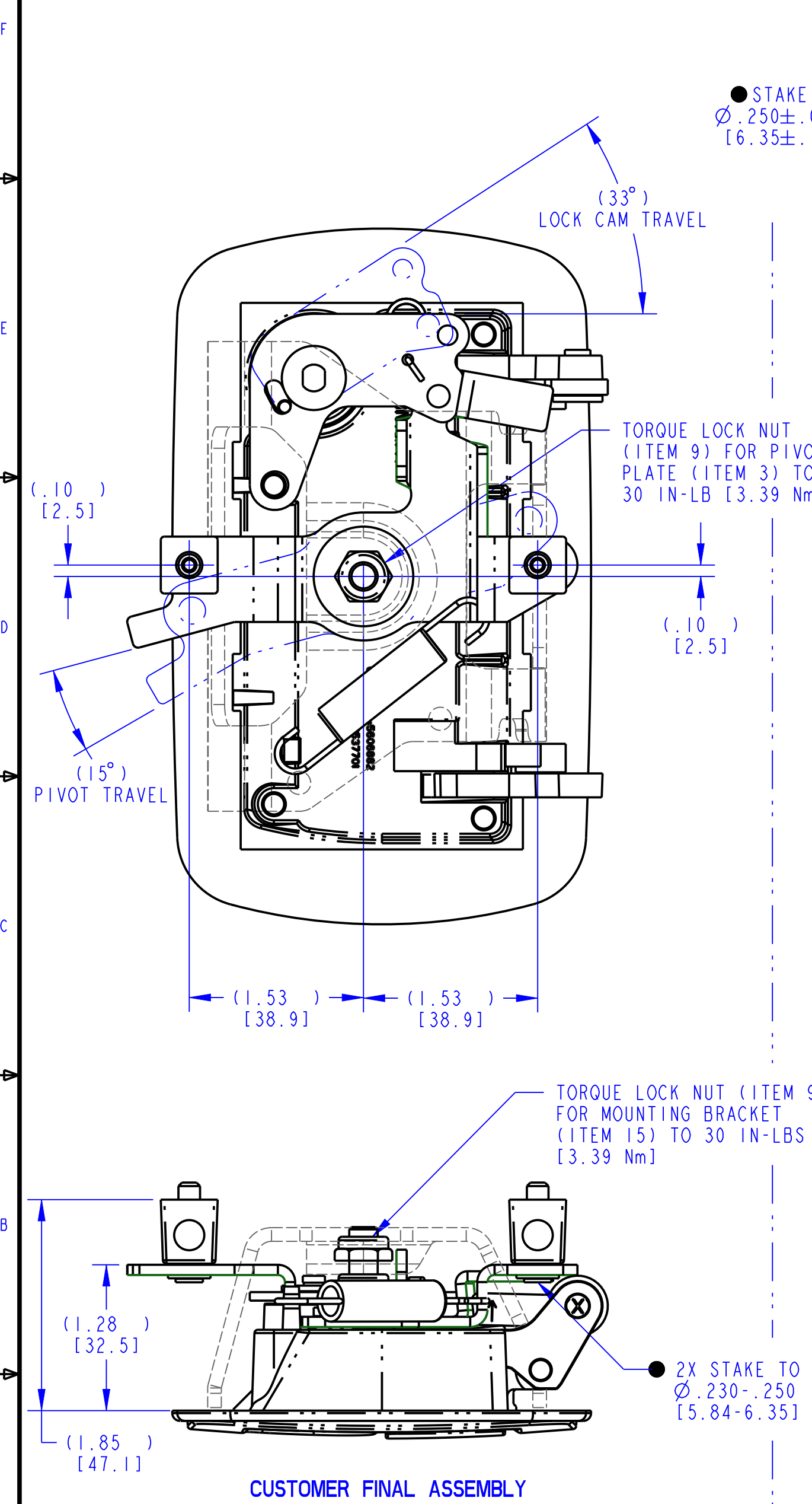
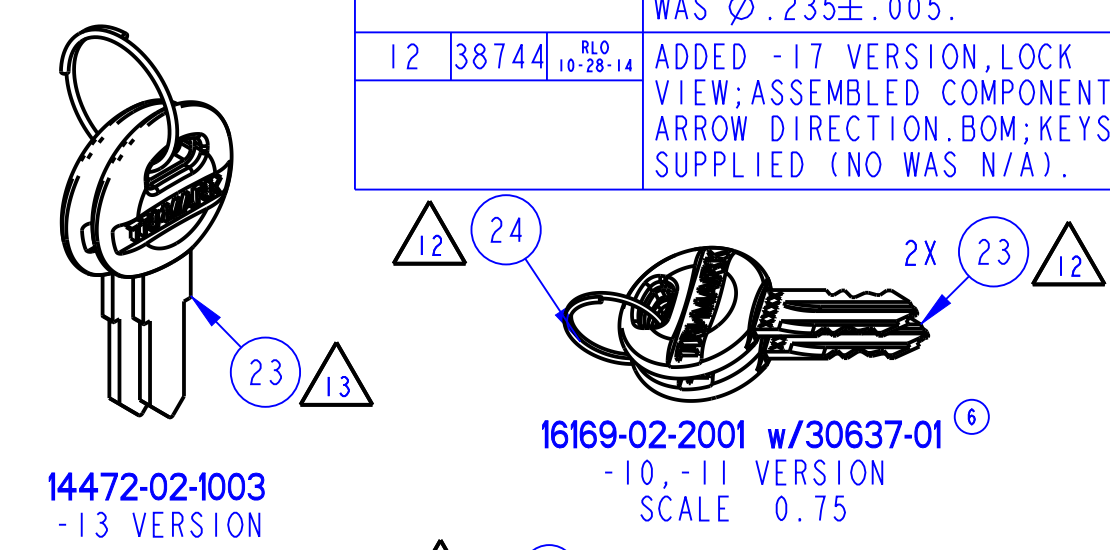


PART NUMBER DESCRIPTION	ITEM 1 SUBASSY (QTY)	ITEM 2 PADDLE (QTY)	ITEM 3 PLATE (QTY)	ITEM 4 GASKET (QTY)	ITEM 5 WASHER (QTY)	ITEM 6 PIN (QTY)	ITEM 7 ARM (QTY)	ITEM 8 RIVET (QTY)	ITEM 9 NUT (QTY)	ITEM 10 GASKET (QTY)	ITEM 11 SPRING (QTY)	ITEM 12 SPRING (QTY)	ITEM 13 ACTUATOR (QTY)	ITEM 14 CAM (QTY)	ITEM 15 BRACKET (QTY)	ITEM 16 WASHER (QTY)	ITEM 17 LOCKCYLINDER (QTY)	ITEM 18 LK SEAL (QTY)	ITEM 19 COLLAR (QTY)	ITEM 20 SET SCREW (QTY)	ITEM 21 WASHER (QTY)	ITEM 22 PLUG (QTY)	ITEM 23 KEY (QTY)	ITEM 24 RING (QTY)	FINISH ⁷	KEYS SUPPLIED YES/NO (QTY)				
22676-01 030-1450_LGB/CNCC, 1022, RH, 2PT, SHTSTUD	20600-02 (1)																16014-02-1022 (1)								HSG: PAINT, BLACK, LOW GLOSS PDL: PLATE, COPPER-NICKEL-NICKEL-CHROME					
22676-02 030-1450_CNCC, 2001, RH, 2PT, SHTSTUD		20498-01 (1)															31684-01 (1)													
22676-03 030-1450_CNCC, 2001, RH, 2PT, SHTSTUD, 2CLRS	20600-01 (1)																16014-02-2001 (1)		12436-09 (2)	81574-18 (2)	13152-01 (2)					PLATE, COPPER-NICKEL-NICKEL-CHROME (BUFFED)				
22676-04 030-1450_CNCC, 1022, RH, 2PT, SHTSTUD																	16014-02-1022 (1)	16025-01 (1)												
22676-05 030-1450_LGB, 1022, RH, 2PT, SHTSTUD																	16014-92-9002 (1)									PAINT, BLACK, LOW GLOSS	NO			
22676-06 030-1450_LGB, 9002, RH, 2PT, SHTSTUD	20600-02 (1)	20498-02 (1)															31684-01 (1)													
22676-07 030-1450_LGB, 2001, RH, 2PT, SHTSTUD																	16014-02-2001 (1)													
22676-08 030-1450_LGB/CNCC, 2001, RH, 2PT, SHTSTUD		20498-01 (1)	14482-02 (1)	20420-01 (2)	80999-16 (1)	80913-15 (2)	11712-01 (1)	81293-16 (1)	81002-15 (2)	20420-00 (1)	81287-57 (1)	80710-57 (1)	16022-01 (1)	17293-01 (1)	81318-16 (1)	81773-15 (1)			12436-09 (2)	81574-18 (2)	13152-01 (2)	18298-01 (1)					HSG: PAINT, BLACK, LOW GLOSS PDL: PLATE, COPPER-NICKEL-NICKEL-CHROME (BUFFED)			
22676-09 030-1450_CNCC, KEYONE, RH, 2PT, SHTSTUD, 2CLR	20600-01 (1)																N/A	N/A												
22676-10 030-1450_LGB, 2001, RH, 2PT, SHTSTUD		20498-02 (1)															16014-02-2001 (1)	16025-01 (1)									PAINT, BLACK, LOW GLOSS	YES (2)		
22676-11 030-1450_LGB/CNCC, 2001, RH, 2PT, SHTSTUD																	N/A	N/A									HSG: PAINT, BLACK, LOW GLOSS PDL: PLATE, COPPER-NICKEL-NICKEL-CHROME	NO		
22676-12 030-1450_LGB/CNCC, RH, 2PT, SHTSTUD	20600-02 (1)	20498-01 (1)															16014-92-9002 (1)	16025-01 (1)										PAINT, BLACK, LOW GLOSS	YES (2)	
22676-13 030-1450_LGB, 9002, RH, 2PT, SHTSTUD		20498-02 (1)															N/A	N/A										HSG: PAINT, BLACK, LOW GLOSS PDL: PLATE, COPPER-NICKEL-NICKEL-CHROME (BUFFED)	NO	
22676-14 030-1450_LGB/CNCC, RH, 2PT, SHTSTUD	20600-01 (1)	20498-01 (1)															N/A	N/A											PAINT, BLACK, LOW GLOSS	NO
22676-15 030-1450_CNCC, RH, 2PT, SHTSTUD	20600-01 (1)																N/A	N/A												
22676-17 030-1450_LGB, 2001, RH, 2PT, SHTSTUD	20600-02 (1)	20498-02 (1)																												

REVISION	ECN	ECN BY	DESCRIPTION
7	37447	RLO 8-17-11	ADDED -14, -15 VERSIONS, UPDATED VIEWS, VIEW TITLES.
8	37787	RLO 3-12-12	-07 (ITEM 17); 31684-01 WAS 16014-02-2001.
9	37882	RLO 5-22-12	-02 (ITEM 17); 31684-01 WAS 16014-02-2001.
10	38119	RLO 1-24-13	ITEM 18 (-14, -15 VERSION); N/A WAS 16025-01.
11	38141	RLO 3-9-13	STAKED DIM; Ø. 250±.006 WAS Ø. 235±.005.
12	38744	RLO 10-28-14	ADDED -17 VERSION, LOCK VIEW, ASSEMBLED COMPONENT ARROW DIRECTION, BOM; KEYS SUPPLIED (NO WAS N/A).



- NOTES: UNLESS OTHERWISE SPECIFIED;
- 1 STAMP RIVET (ITEM 8) WITH DATE CODE PER ES-121. LOCATE APPROXIMATELY AS SHOWN.
 - 2 (ITEM 4); PADDLE GASKETS (ITEM 4) MUST BE INSTALLED & ORIENTED AS SHOWN. (ITEM 10); HOUSING GASKET TO BE BAGGED LOOSE.
 - 3 LOCK NUT (ITEM 9) TO BE INSTALLED FINGER TIGHT FOR SHIPMENT.
 - 4 LIBERALLY APPLY ALPHA 2000 BETWEEN CONTACT SURFACES OF ACTUATOR (ITEM 13) AND HOUSING SUBASSEMBLY (ITEM 1).
 - 5 RUN THE FIRST LOCK NUT (ITEM 9) DOWN THE STUD TO THE DIMENSION SHOWN.
 - 6 ACTUATOR (ITEM 13) MUST BE INSTALLED IN POSITION SHOWN.
 - 7 FINISH IS FOR REFERENCE ONLY.
 - 8 POSITION OF AXIS OF INDICATED MOUNTING STUD WITHIN CUTOUT.
 - 9. DIMENSIONS IN [] ARE MM FOR REFERENCE ONLY.
 - 10 PRESS PLUG (ITEM 22) IN TO SNUG FIT FOR -09 & -12 VERSION ONLY, WITH FLANGE BELOW HOUSING SURFACE. ORIENTATION IS NOT CRITICAL.
 - 11 INSTALL SET SCREWS (ITEM 20) 2-3 THREADS DEEP.
 - 12 VERSION -10, -11; ASSEMBLE KEYS (ITEM 23) TO RING (ITEM 24) AND SEAL IN CORNER OF BAG.
 - 13 VERSION -13; SEAL 14472-02-1003 KEY SET (ITEM 23) IN CORNER OF BAG.

TOLERANCES UNLESS OTHERWISE SPECIFIED (UNLESS NOTED)		DRAWN BY BJP 05/01/06		TriMark	
INCH	ASME Y14.5M-1994	CHECKED BY KPE	05/01/06	500 Bailey Avenue P. O. Box 350 New Hampton, Iowa 50659 U.S.A. Tel: 641-394-3188 Fax: 641-394-2392	
MILLIMETER		PROJECT 03087	PRODUCT CODE C33 (030-1450)	This drawing and the information contained herein is the property of TriMark Corporation and shall not be used for any purpose without our written consent.	
X.X ±.1	X ±.3	CUSTOMER		DO NOT SCALE DRAWING	
X.XX ±.03	X.X ±.8	CUSTOMER PART NUMBER		PART WEIGHT (1.677 LB)	SURFACE AREA
X.XXX ±.010	X.XXX ±.25	PART WEIGHT		SIZE D	SCALE 1.0
ANGLES X° ±.3° X.X° ±1.0° X.XX° ±.50°		CUSTOMER DESCRIPTION		SEE TABLE	
REF. T/M OP 4.20-2 FOR SUP. QUALITY REQ. REF. T/M OP 4.20-3 FOR INT. QUALITY REQ.		PART NUMBER		PART NUMBER 22676	