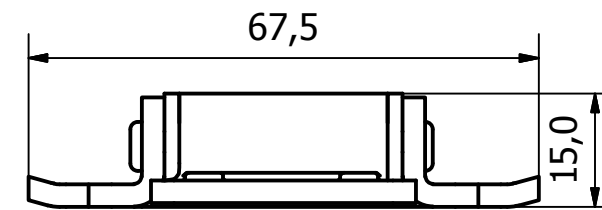
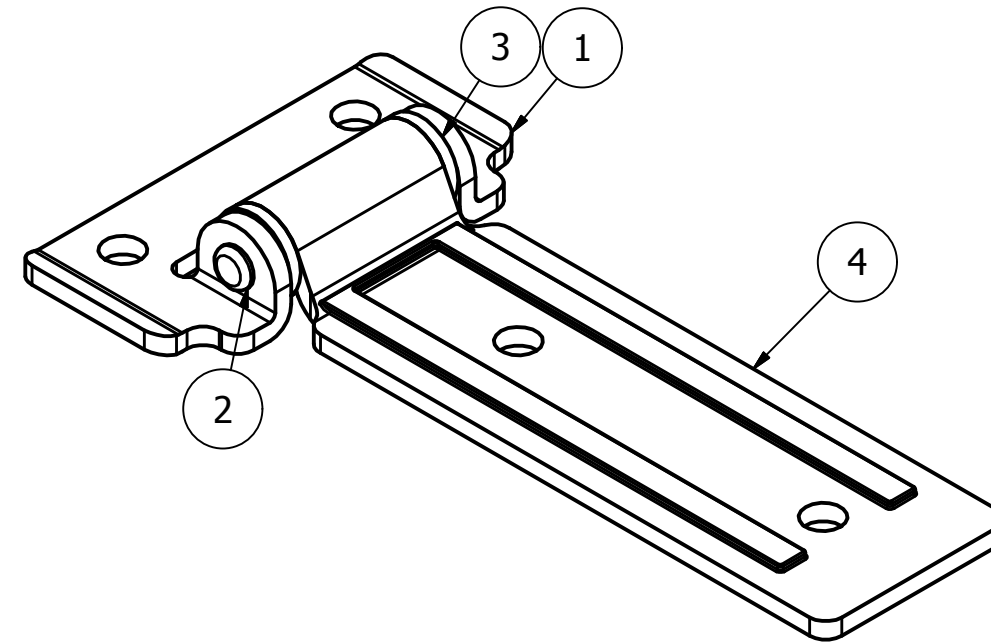


PARTS LIST			
ITEM	QTY	PART NUMBER	DESCRIPTION
1	1	9820-6170-1	HINGE BASE PLATE
2	1	9820-6170-2	HINGE PIN - 40 O/A
3	2	NYLON BUSH - 14 O-D	HINGE BUSH
4	1	9820-6170-3	HINGE MOUNTING PLATE



NOTE:

HINGE SPECIFICALLY DESIGNED FOR 180° APPLICATIONS.
HINGE WILL ROTATE TO 270° AT MAXIMUM TRAVEL

GENERAL TOLERANCES ON LENGTHS
0.5 - 6 ± 0.1mm
6 - 30 ± 0.2mm
30 - 120 ± 0.3mm
120 - 400 ± 0.5mm
400 - 1000 ± 0.8mm
1000 - 1200 ± 1.2mm
2000 - 4000 ± 2.0mm

ALBERT JAGGER LTD
GREEN LANE
WALSALL PHONE: 01922 471000
WEST MIDLANDS FAX: 01922 648021
WS2 8HG

THIS DRAWING & THE DESIGN SHOWN
ARE THE PROPERTY OF ALBERT JAGGER LTD
AND MUST NOT BE USED OR COPIED BY A
THIRD PARTY WITHOUT PERMISSION

DRAWN BY
U.F

CHECKED BY
A.P

SCALE
1 : 1

MATERIAL
-

MASS
0.162 kg

FINISH
POLISHED

Date
19/09/2016

ALL DIMS IN MM
UNLESS STATED
DO NOT SCALE

1 VALIDATION COMPLETE
07/10/2016
A.P

REV DESCRIPTION DATE APPROVED

A3



SS HINGE WITH NYLON BUSHES - 6.5 PIN

9820-6170

Edition
1

Sheet
1 / 1