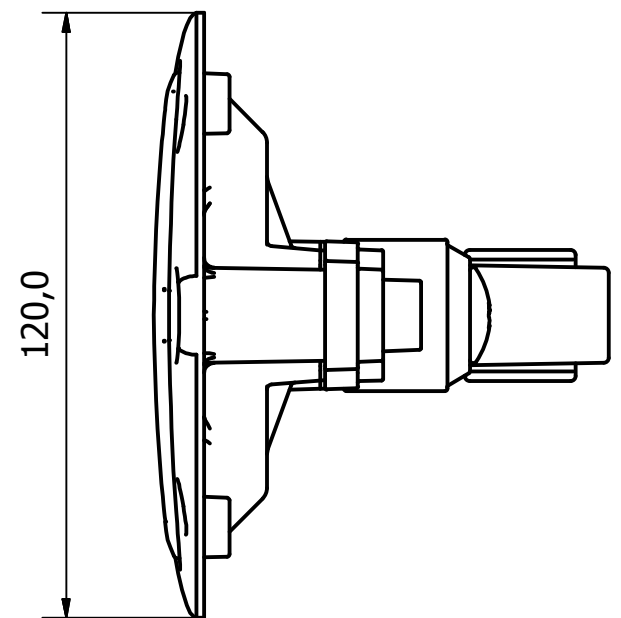
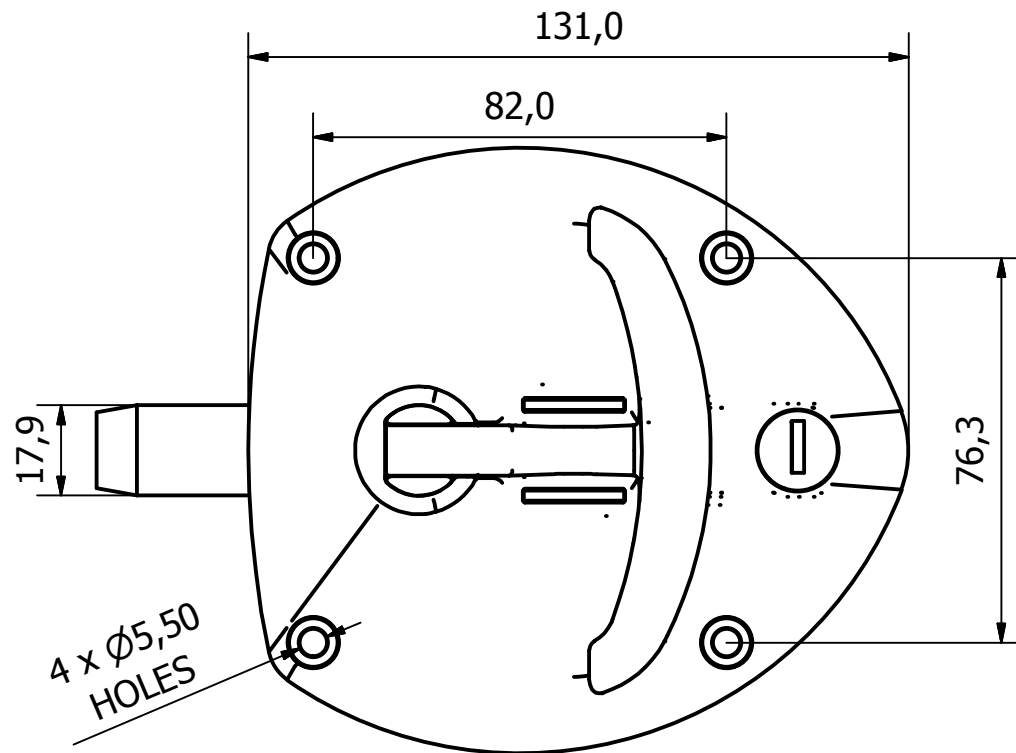
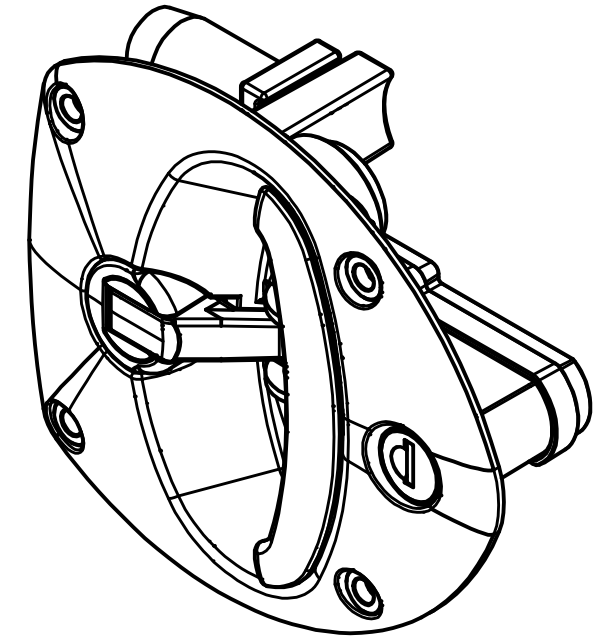
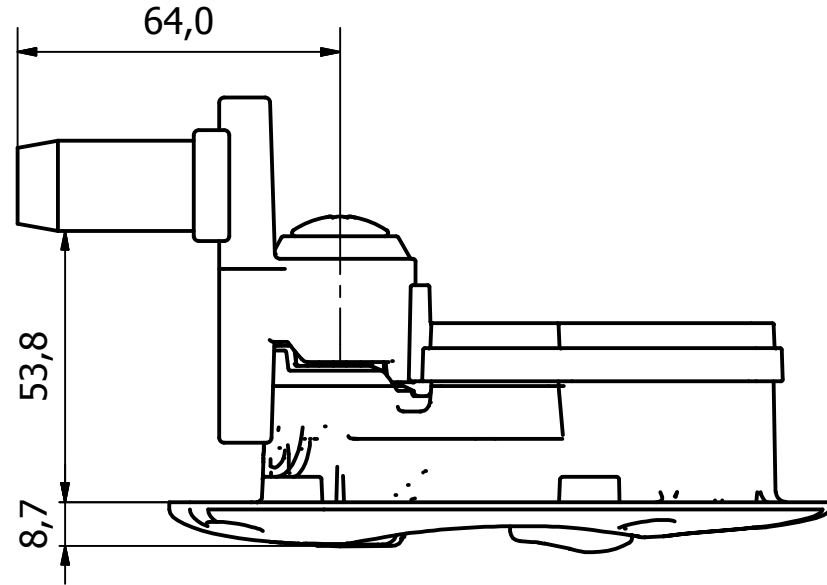
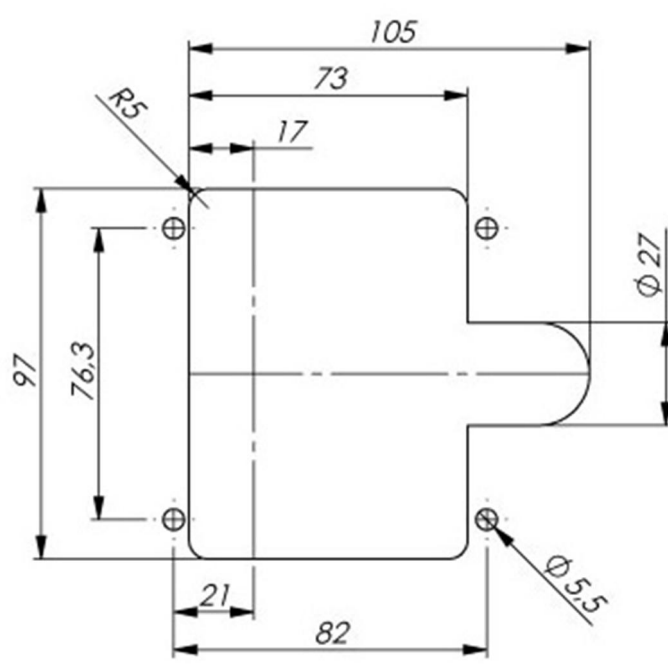


NOTE:

ZINC DIECAST HANDLE WITH BKV  
133 PLASTIC HOUSING.  
STAINLESS STEEL. SPRING  
LOADED PADLOCK EYE.  
COMPRESSION MECHANISM  
SUPPORTED BY ROLLER  
BEARINGS.  
ADJUSTABLE CAM USED



CUT-OUT DETAILS



GENERAL TOLERANCES ON LENGTHS

0.5 - 6 ± 0.1mm
6 - 30 ± 0.2mm
30 - 120 ± 0.3mm
120 - 400 ± 0.5mm
400 - 1000 ± 0.8mm
1000 - 2000 ± 1.2mm
2000 - 4000 ± 2.0mm

ALBERT JAGGER LTD  
GREEN LANE  
WALSALL WEST MIDLANDS WS2 8HG  
PHONE: 01922 471000  
FAX: 01922 648021

THIS DRAWING & THE DESIGN SHOWN ARE THE PROPERTY OF ALBERT JAGGER LTD AND MUST NOT BE USED OR COPIED BY A THIRD PARTY WITHOUT PERMISSION

DRAWN BY  
U.F

CHECKED BY  
A.P



SCALE  
1:1.5

MATERIAL  
SEE NOTE

MASS  
0.480 kg

FINISH  
P/C BLACK

Date  
12/06/2017

ALL DIMS IN MM UNLESS STATED DO NOT SCALE

A3

2	PART No. CHANGED WAS 0857/1000	04/10/17	U.F
1	VALIDATION COMPLETE	15/08/17	A.P
REV	DESCRIPTION	DATE	APPROVED



VECTOR LOCKING 'T' HANDLE WITH ADJ CAM KEYED CH751

9850-275021-06-S1

Edition  
2

Sheet  
1 / 1